

Specifications

Model:	XVCSP	XVCSA	XVCPIR
Picture Type:	Colour	Colour	Day/Night (B/W & Colour)
Image Sensor:	CCD		
DSP:	Xvision E1DN		
Resolution:	480TVL	480/540 TVL	
Lens Viewing Angle:	78°		
Infra Red Nightvision:	No	No	10 metres
Minimum Illumination:	0.1 Lux	0.1 Lux	0 Lux
Audio:	No	Yes	Yes
Operating Voltage:	12V DC 110mA	12V DC 70mA	12V DC 240mA
Suggested Power Supply:	12V DC 300mA	12V DC 300mA	12V DC 300mA
Mounting:	Ceiling	Ceiling	Wall
Weatherproofing:	No		
Dimensions:	(ØxH) 84x60mm	(ØxH) 120x54mm	(WxHxD) 60x103x60mm

TECHNICAL SUPPORT:

For Technical Support for any Xvision product please contact your local distributor.

LIMITED WARRANTY:

This product is supplied with a 2 Year warranty. The Warranty excludes products that have been misused, (including accidental damage) and damage caused by normal wear and tear. In the unlikely event that you encounter a problem with this product, it should be returned to the place of purchase.

Manufactured exclusively for Xvision - www.x-vision.co.uk



UK/Europe

Xvision Group (UK)
Unit 2, Valley Point,
Beddington Farm Road,
Croydon
Surrey. CR0 4WP
Email: sales@x-vision.co.uk

Far East

Kyoung Am Building
157-27 Samsung-dong
Kangnam-ku
135 090 Seoul
Korea
Email: globalsales@x-vision.co.uk

Middle East

Burjuman Tower,
18th Floor
PO Box 121828
Dubai 43659
United Arab Emirates
Email: mesales@x-vision.co.uk

North America

100 Park Avenue
New York City,
New York
10017
United States
Email: usasales@x-vision.co.uk

Xvision
CCTV

Xvision
CCTV



Model: **XVCSP**
Colour 480 TVL Sprinkler
Covert CCTV Camera

Model: **XVCSA**
Colour 480 TVL Smoke Alarm
Covert CCTV Camera

Model: **XVCPIR**
Day/Night 480/540 TVL PIR Sensor
10m IR Covert CCTV Camera

Before you begin

- Please unpack the box carefully and identify that all the parts are present.
- Do not cut the camera cables, this will void the warranty.
- Make sure you use only the recommended power supply. Damage caused to the camera by incorrect voltage or wiring is not covered by the warranty.



CAUTION

RISK OF ELECTRIC SHOCK.
DO NOT OPEN!



CAUTION: TO REDUCE THE RISK OF ELECTRIC SHOCK, DO NOT OPEN COVERS UNLESS MAKING LENS ADJUSTMENTS. NO USER SERVICEABLE PARTS INSIDE. REFER SERVICING TO QUALIFIED SERVICE PERSONNEL.

Model:
XVCPIR/XVCSA/XVCSP
PIR/Smoke Alarm/Sprinkler Covert CCTV Cameras

Thank you for purchasing this Xvision camera. Before operating this product, please read this instruction manual carefully.

1. Product Description

The XVC range of cameras are designed for covert applications and are available disguised as a PIR Alarm Sensor, Smoke Alarm or Sprinkler. The cameras are built into the casing of the unit so they can provide unobtrusive surveillance without anyone knowing they are being watched. They all offer very high resolution images from their Sony CCD sensors. They feature a standard fixed lens for 78° viewing angle, ideal for wide coverage of an area.

The PIR Alarm Sensor CCTV Camera offers up to 10m IR Night Vision in complete darkness. Designed for internal use, it can be wall mounted using the adjustable mounting bracket supplied.

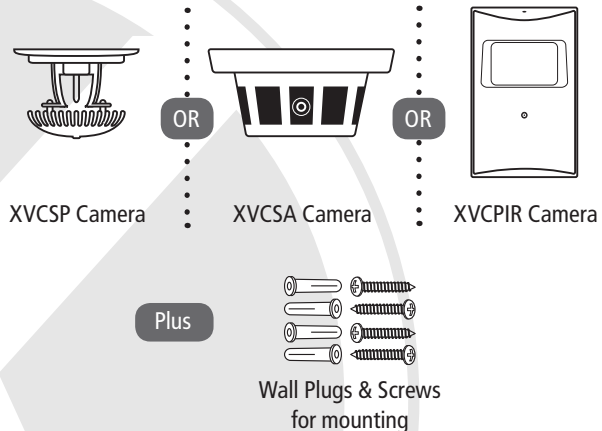
The Smoke Alarm CCTV Camera is designed to be Ceiling mounted internally and will provide a wide side view of the area being monitored.

The Sprinkler CCTV Camera is designed for internal use and is designed to be Ceiling mounted directly above the area being monitored.

2. Features

- Sony 1/3" Super HAD CCD image sensor for 480 TVL (480/540 for XVCPIR) resolution images
- Feature 3.6mm lens with 78° viewing angle for wide angle images
- 0.1 lux low light sensitivity
- XVCPIR PIR Alarm Sensor Camera offers 10m IR Night Vision in complete darkness

3. Contents

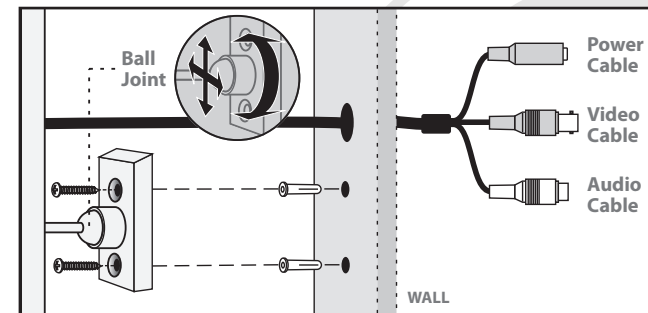


4a. Installation

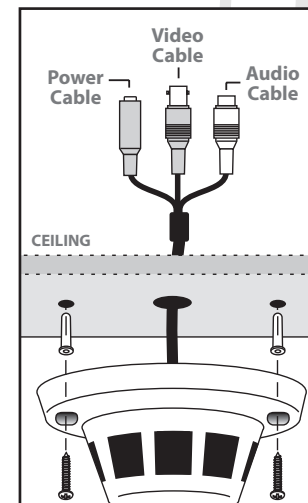
1. Select the position you want to mount the camera in. Refer to the relevant diagrams opposite for guidance on how each camera type should be mounted.
2. Ensure cables are fed through the wall/ceiling before fixing the camera using the wall plugs and fixing screws.
3. Connect the video cable, audio cable and power supply to the camera after the camera has been mounted.
(Note: XVCSP has no audio connection).

4b. Installation Diagrams

XVCPIR Installation



XVCSA Installation



XVCSP Installation

