



XP3000B

HD IR Waterproof Fixed IP Camera User's Manual

Version 3.5.0

Welcome

Thank you for purchasing our IP camera!

This user's manual is designed to be a reference tool for your system.

Please read the following safeguard and warnings carefully before you use this series product!

Please keep this user's manual well for future reference!

Important Safeguards and Warnings

1 . Electrical safety

All installation and operation here should conform to your local electrical safety codes.

The power shall conform to the requirement in the SELV (Safety Extra Low Voltage) and the Limited power source is rated 12V DC or 24V AC in the IEC60950-1.

We assume no liability or responsibility for all the fires or electrical shock caused by improper handling or installation.

We are not liable for any problems caused by unauthorized modification or attempted repair.

2 . Transportation security

Heavy stress, violent vibration or water splash are not allowed during transportation, storage and installation.

3 . Installation

Do not apply power to the camera before completing installation.

Please install the proper power cut-off device during the installation connection.

Always follow the instruction guide the manufacturer recommended.

4 . Qualified engineers needed

All the examination and repair work should be done by the qualified service engineers.

We are not liable for any problems caused by unauthorized modifications or attempted repair.

5 . Environment

This series IP camera should be installed in a cool, dry place away from direct sunlight, inflammable, explosive substances and etc.

Please keep it away from the electromagnetic radiation object and environment.

Please make sure the CCD (CMOS) component is out of the radiation of the laser beam device.

Otherwise it may result in CCD (CMOS) optical component damage.

Please keep the sound ventilation.

Do not allow the water and other liquid falling into the camera.

6. Daily Maintenance

Please shut down the device and then unplug the power cable before you begin daily maintenance work.

Do not touch the CCD (CMOS) optic component. You can use the blower to clean the dust on the lens surface.

Always use the dry soft cloth to clean the device. If there is too much dust, please use the water to dilute the mild detergent first and then use it to clean the device. Finally use the dry cloth to clean the device.

Please put the dustproof cap to protect the CCD (CMOS) component when you do not use the camera.

7. Accessories

Be sure to use all the accessories recommended by manufacturer.

Before installation, please open the package and check all the components are included.

Contact your local retailer ASAP if something is broken in your package.

Accessory Name	Amount
Unit	1
Quick Start Guide	1
CD	1

Table of Contents

1	General Introduction	1
1.1	Overview	1
1.2	Features.....	1
1.3	Specifications	2
1.3.1	Performance.....	2
1.3.2	Factory Default Setup	4
2	Structure	11
2.1	Multiple-function Combination Cable	11
2.2	Framework and Dimension	12
2.3	Bidirectional talk	13
2.3.1	Device-end to PC-end	13
2.3.2	PC-end to the device-end	13
2.4	Alarm Setup.....	13
3	Device Installation	15
4	Quick Configuration Tool.....	16
4.1	Overview	16
4.2	Operation	16
5	Web Operation.....	19
5.1	Network Connection.....	19
5.2	Login and Logout.....	19
6	FAQ	22
	Appendix Toxic or Hazardous Materials or Elements	23

1 General Introduction

1.1 Overview

This series IP camera integrates the traditional camera and network video technology. It adopts audio and video data collection, transmission together. It can connect to the network directly without any auxiliary device.

This XP3000B uses standard H.264 video compression technology and G.711a audio compression technology, which maximally guarantee the audio and video quality.

It supports the IR night vision function. In the night environments, the device can use the IR light to highlight the object which is suitable for the surveillance function in the low illumination environments. The built-in protection enclosure and waterproof design conforms to the IP 66 level. It has the sound waterproof function suitable for use in the outdoor environments.

It supports real-time monitor and listening at the same time. It supports analog video output and dual-way bidirectional talk.

It can be used alone or used in a network area. When it is used lonely, you can connect it to the network and then use a network client-end. Due to its multiple functions and various uses, the XP3000B is widely used in many environments such office, bank, road monitor and etc.

1.2 Features

User Management	<ul style="list-style-type: none">● Different user rights for each group, one user belongs to one group.● The user right shall not exceed the group right.
Storage Function	<ul style="list-style-type: none">● Support central server backup function in accordance with your configuration and setup in alarm or schedule setting● Support record via Web and the recorded file are storage in the client-end PC.● Support built-in SD card.● Do not support local SD card hot swap storage function. Support short-time storage when encounter disconnection.● Support network storage function such as FTP.
Alarm Function	<ul style="list-style-type: none">● Real-time respond to external on-off alarm input, and video detect as user pre-defined activation setup and generate corresponding message in screen and audio prompt(allow user to pre-record audio file)● Real-time video detect: motion detect, camera masking.
Network Monitor	<ul style="list-style-type: none">● IPC supports one-channel audio/video data transmit to network terminal and then decode. Delay is within 270ms (network bandwidth support needed)● Max supports 20 connections.● Adopt the following audio and video transmission protocol: HTTP, TCP, UDP, MULTICAST, RTP/RTCP, RTSP and etc.● Support web access.
Network Management	<ul style="list-style-type: none">● Realize IPC configuration and management via Ethernet.● Support device management via web or client-end.
Power	<ul style="list-style-type: none">● External power adapter DC12V/AC 24V. You can select according to your actual environments. Please note system can not support these two types of power supplying at the same time.
Assistant Function	<ul style="list-style-type: none">● Log function● Support system resource information and running status real-time display.

	<ul style="list-style-type: none"> ● Day/Night mode auto switch. ● Built-in IR light. Support IR night vision. ● Support picture parameter setup such as electronic shutter and gain setup. ● Backlight compensation: screen auto split to realize backlight compensation to adjust the bright. ● Support video watermark function to avoid vicious video modification. ● The enclosure conforms to the IP 66 protection. Has the waterproof function.
--	--

1.3 Specifications

1.3.1 Performance

Please refer to the following sheet for IPC performance specification.

Model		XP3000B Series
Parameter		
System	Main Processor	TI Davinci high performance DSP
	OS	Embedded LINUX
	System Resources	Support real-time network, local record, and remote operation at the same time.
	User Interface	Remote operation interface such as WEB, DSS, PSS
	System Status	SD card status, bit stream statistics, log, and software version.
Video Parameter	Image Sensor	1/2.8-inch CMOS
	Pixel	2048(H)*1536(V)
	Day/Night Mode	Support day/night mode switch and IR-CUT at the same time.
	Auto Aperture	DC drive
	Gain Control	Fixed/Auto
	White Balance	Manual/Auto
	Exposure Mode	Auto/Low noise/Low motion blur/Defend flicker /Manual PAL: It ranges from 1/3 to 1/10000 NTSC: It ranges from 1/4 to 1/10000
	Video Compression Standard	H264/H264B/MJPEG
	Video Frame Rate	PAL: Main stream (2048*1536@15fps) , extra stream, (704*576@15fps) Main stream (1920*1080@25fps) , extra stream (704*576@25fps)
		NTSC: Main stream (2048*1536@15fps) , extra stream (704*480@15fps) Main stream (1920*1080@30fps) , extra stream (704*480@30fps)
	Video Bit Rate	H264/H264B/MJPEG
	Video Flip	Support mirror and flip function.
	Snapshot	Max 1f/s snapshot. File extension name is JPEG.
Privacy Mask	Supports max 4 privacy mask zones	
Video Setup	Support parameter setup such as bright, contrast.	
Video	Channel title, time title, motion detect, camera masking.	

	Information	
	Lens	8~16mm @F1.6
	Lens Interface	C/CS. Lens is the default accessories
Audio	Audio Input	1-channel, LINE IN
	Audio Output	1-channel, 3.5mm JACK SPEAK OUT.
	Bidirectional Talk Input	Reuse the first audio input channel
	Audio Bit Rate	16kbps 16BIT
	Audio Compression Standard	G.711a/G.711u/PCM
Video	Motion Detect	396 (18*22) detection zones; sensitivity level ranges from 1 to 6 (The 6 th level has the highest sensitivity) Activation event, alarm device, audio/video storage, image snapshot, log, email SMTP function and etc.
Alarm Input		2-channel input, 1-channel output
Record and Backup	Record Priority	Manual>External alarm >Video detect>Schedule
	Local Storage	Support Micro SD card hot swap
	Storage Management	Support display local storage status
Network	Wire Network	1-channel wire Ethernet port, 10/100 Base-T Ethernet
	Network Protocol	Standard HTTP, TCP/IP, ARP, IGMP, ICMP, RTSP, RTP,UDP, RTCP, SMTP, FTP, DHCP, DNS, DDNS, PPPOE, UPNP, NTP, Bonjour, SNMP.
	Remote Operation	Monitor, system setup, file download, log information, maintenance , upgrade and etc
General Parameter	Video Output	1-channel analog video output, BNC port, 9-pin port connection
	Reset	9-pin port connection
	IR light	42 LED, IR distance 20 to 30 meters. 70 LED, IR distance 30 to 50 meters.
	Power	Support AC24V/DC12V power.
	Power Consumption	For -IR2 device: 8W MAX (10W MAX when ICR switch) For -IR4 device:10W MAX (12W MAX when ICR switch)
	Working Temperature	-10°C~+60°C
	Working Humidify	10%~90%
	Dimensions(mm)	288x118x101
	Weight	2468G (Excluding box)
	Installation	Support various installation modes (Bracket is optional)

1.3.2 Factory Default Setup

Please refer to the following sheet for factory default setup information.

Setup		Item		Default Setup		
				XP3000B Series		
Camera	Conditions	Brightness		50		
		Contrast		50		
		Hue		50		
		Saturation		50		
		Gain Mode		Auto		
		Gain Limit		80		
		Exposure Mode		Auto		
		Auto Iris		On		
		Scene Mode		Auto		
		Day/night Mode		Auto		
		BLC		Off		
		Mirror		Off		
		Flip		Off		
	Video	Video bit stream	Main Stream	Bit stream type	General	
				Encode mode	H.264	
				Resolution	1080P (1920*1080)	
				Frame Rate (FPS)	PAL: 25 NTSC:30	
				Bit Rate Type	CBR	
				Recommended Bit	3584-6144 Kb/S	
				Bit Rate	6144	
I Frame				50		
Watermark				Enable		
Watermark character				DigitalCCTV		
Sub Stream			Enable	Enable		
			Bit stream type	General		
			Encode mode	H.264B		
			Resolution	CIF(352*288/352*240)		
			Frame Rate (FPS)	PAL: 25 NTSC:30		

Setup		Item		Default Setup	
				XP3000B Series	
				Bit Rate Type	CBR
				Recommended Bit	192-1024Kb/S
				Bit Rate	1024
				I Frame	50
		Snapshot	Snapshot Type	General	
			Image Size	1080P (1920*1080)	
			Quality	5	
			Interval	1s	
		Video Overlay	Privacy Mask	Disable	
			Channel Title	Enable	
			Time Title	Enable	
		Path	Snapshot Path	C:\PictureDownload	
			Record Path	C:\RecordDownload	
		Audio	Main Stream	Enable	Enable
				Encode Mode	G.711A
			Sub Stream	Enable	Disable
	Encode Mode			G.711A	
	Network	TCP/IP	Host Name	IPC	
			Ethernet Card	Wire(Default)	
			Mode	Static	
Mac Address			Device MAC address when it is shipped out of the factory		
IP Version			IPV4		
IP Address			192.168.1.108		
Subnet Mask			255.255.255.0		
Default Gateway			192.168.1.1		
Preferred DNS			8.8.8.8		
Alternate DNS			8.8.8.8		

Setup	Item		Default Setup
			XP3000B Series
		Enable ARP/Ping set device IP address service	Enable
	Connection	Max Connection	10
		TCP Port	37777
		UDP Port	37778
		HTTP Port	80
		RTSP Port	554
		HTTPs Port	443
	PPPoE	Enable	Disable
		Username	N/A
		Password	N/A
	DDNS	Server Type	Disable, CN99 DDNS
		Server IP	none
		Server Port	80
		Domain Name	none
		User	none
		Password	****
		Update Period	10 minutes
	IP Filter	Trusted sites	Disable
	SMIT(Email)	SMTP Server	none
		Port	25
		Anonymity	Disable
		User Name	anonymity
		Password	****
		Sender	none

Setup	Item		Default Setup
			XP3000B Series
		Authentication (Encryption mode)	N/A
		Title (Subject)	IPC Message
		Attachment	Enable
		Mail Receiver	N/A
		Send Interval	0 second
		Email Test	Disable, interval=60 minutes
	UPnP	Enable UPnP	Disable
	SNMP	SNMP v1	Disable
		SNMP v2	Disable
		SNMP Port	161
		Read Community	public
		Write Community	private
		Trap Address	N/A
		Trap Port	162
		SNMP v3	Disable
	Bonjour	Enable	Enable
		Server Name	"SN". It depends on the device.
	Multicast	Multicast Address	239.255.42.42
		Port	36666
	QoS	Real-time Monitor	0
		Command	0
		Wireless QoS	Enable

Setup	Item			Default Setup	
				XP3000B Series	
Event	Video detect	Motion Detect	Enable	Disable	
			Anti-dither	5 seconds	
			Sensitivity	3	
			Record Channel	Enable	
			Record Delay	10 seconds	
			Relay out	Enable	
			Alarm Delay	10 seconds	
			Send Email	Disable	
			Snapshot	Disable	
		Video Masking	Enable	Disable	
			Record Channel	Enable	
			Record Delay	10 seconds	
			Relay out	Enable	
			Record Delay	10 seconds	
			Send Email	Disable	
			Snapshot	Disable	
		Alarm	Alarm Activation	Enable	Disable
				Relay in	Alarm 1
	Anti-dither			5 seconds	
	Sensor Type			NO	
	Record Channel			Enable	
	Record Delay			10 seconds	
	Relay out			Enable	
	Alarm Delay			10 seconds	
	Send Email			Disable	
	Snapshot			Disable	
	Relay output		1		
	Abnormity	No Card SD	Enable	Disable	
Relay out			Enable		
Relay out Delay			10 seconds		
Send			Disable		

Setup	Item		Default Setup	
			XP3000B Series	
			email	
			Capacity Warning	Enable
		Capacity Limit		10%
		Relay out		Enable
		Relay out Delay		10 seconds
		Send Email		Disable
		SD Card Error	Enable	Disable
			Relay out	Enable
			Relay out Delay	10 seconds
			Send email	Disable
		Disconnect ion	Enable	Disable
			Record	Enable
			Record Delay	10 seconds
			Relay out	Enable
			Relay out Delay	10 seconds
		IP Conflict	Enable	Disable
			Record	Enable
			Record Delay	10 seconds
			Relay out	Enable
			Relay out Delay	10 seconds
Storage	Storage	FTP	Enable FTP	Disable
			Server IP	N/A
			Port	21
			Username	anonymous
			Password	N/A
			Remote path	share
			Emergency (Local)	Disable
	Record Control	Pack Duration	8 minutes	
		Pre-record	5 seconds	
		Disk Full	Overwrite	
		Record Mode	Auto	

Setup	Item		Default Setup	
			XP3000B Series	
		Record Stream	Main Stream	
System	General	Local Host	Device No	Device factory SN
			Language	English
			Video Standard	PAL
	Date and time		Date Format	Y-M-D
			Time Format	24H
			Time Zone	GMT+08:00
			System Time	Sync
			DST	Disable
			DST Type	Week
			Start Time	00:00:00 of the first Sunday of the month
			End Time	00:00:00 of the second Monday of the month
			NTP	Disable
			NTP Server	clock.isc.org
			Port	37
			Update Period	10 minutes
			Auto Maintenance	
Auto Delete Old Files	Disable			

2 Structure

2.1 Multiple-function Combination Cable

You can refer to the following figure for multiple-function combination cable information. See Figure 2-1.

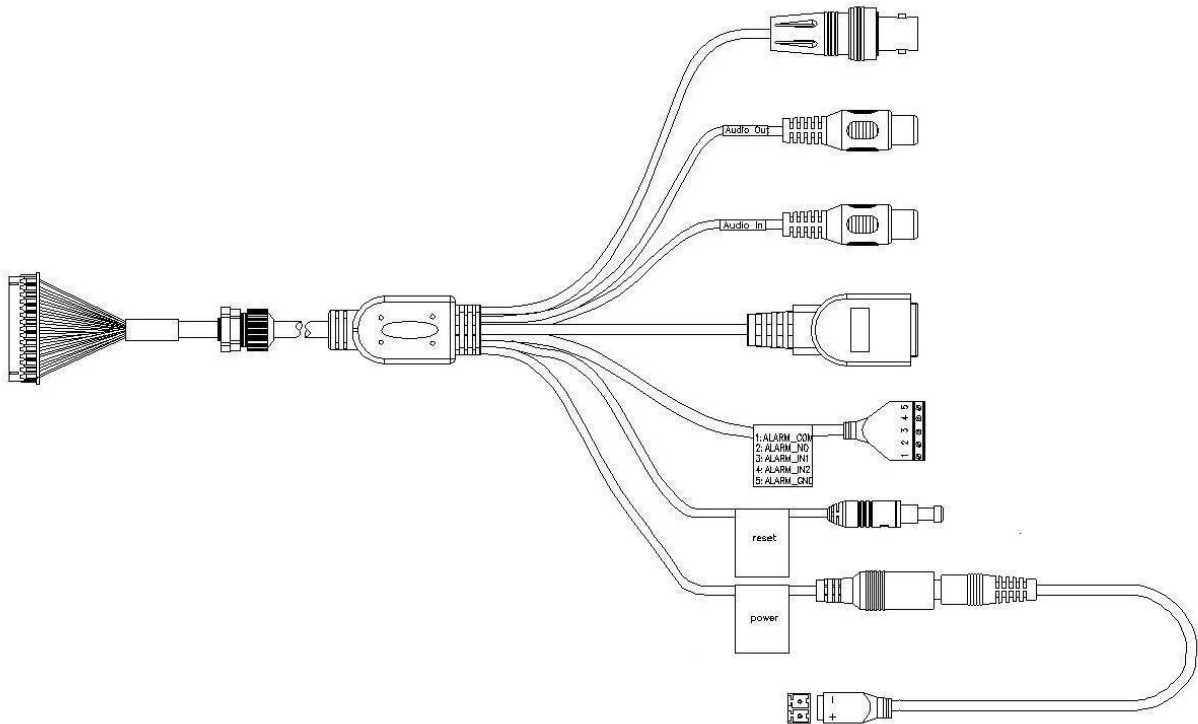


Figure 2-1

Please refer to the following sheet for detailed information.

Port Name	Function	Connection	Note
VIDEO OUT	Video output port	BNC	Output analog video signal. It can connect to the TV monitor to view the video.
AUDIO IN	Audio input port	RCA	Input audio signal. It can receive the analog audio signal from the pickup.
AUDIO OUT	Audio output port	RCA	Output audio signal to the devices such as the sound box.
LAN	Network port	Ethernet port	<ul style="list-style-type: none"> ● Connect to standard Ethernet cable. ● Support PoE.
I/O	I/O cable port	/	Includes alarm input and output.
RESET	Reset button	/	The reset button is to restore device factory default setup.

Port Name	Function	Connection	Note
POWER	Power input port	/	Power port. Input DC 12V or AC 24V. Please note: <ul style="list-style-type: none"> ● Connect the DC5.5 round port to 2-pin converter cable (Provided) when you are using AC 24V series product. ● The DC5.5 round port to 2-pin converter cable is not included in the accessories bag if you are using DC 12V series product.

Please refer to the follow sheet for detailed pin information

Port Name	SN	Name	Note
I/O Port	1	ALARM_COM	Alarm output public port.
	2	ALARM_NO	Alarm output port. It is to output the alarm signal to the alarm device. NO: normal open alarm output port.
	3	ALARM_IN1	Alarm input port 1. It is to receive the on-off signal from the external alarm source.
	4	ALARM_IN2	Alarm input port 2. It is to receive the on-off signal from the external alarm source.
	5	GND	Ground port

2.2 Framework and Dimension

Please refer to the following two figures for dimension information. The unit is mm. See Figure 2-2 and Figure 2-3.

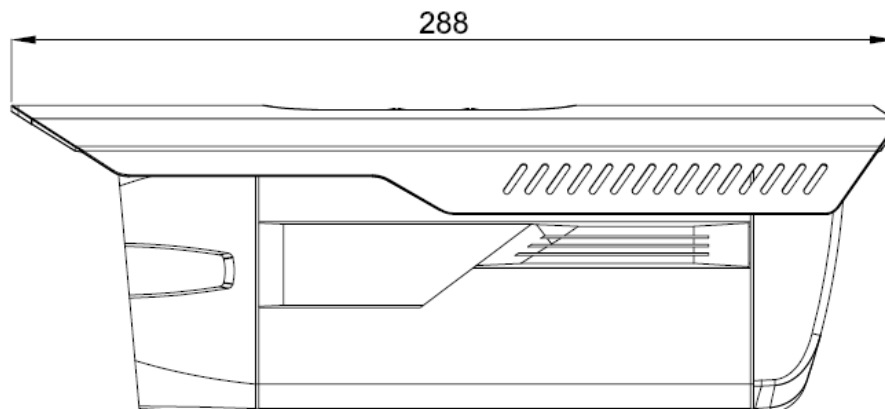


Figure 2-2

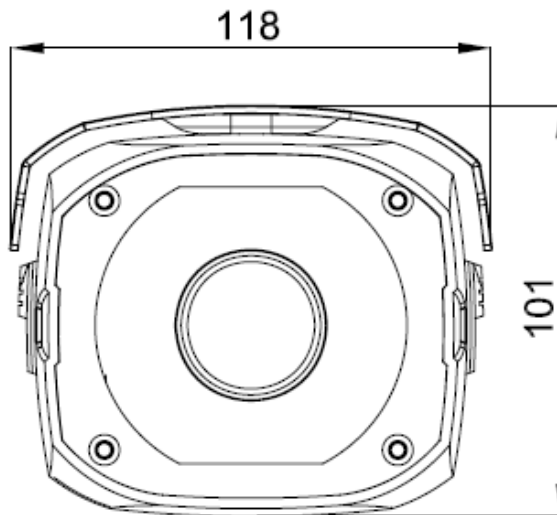


Figure 2-3

2.3 Bidirectional talk

2.3.1 Device-end to PC-end

Device Connection

Please connect the speaker or the pickup to the first audio input port in the device rear panel. Then connect the earphone or the sound box to the audio output port in the PC. Login the Web and then enable the corresponding channel real-time monitor.

Listening Operation

At the device end, speak via the speaker or the pickup, and then you can get the audio from the earphone or sound box at the pc-end.

2.3.2 PC-end to the device-end

Device Connection

Connect the speaker or the pickup to the audio output port in the PC and then connect the earphone or the sound box to the first audio input port in the device rear panel. Login the Web and then enable the corresponding channel real-time monitor.

Listening Operation

At the PC-end, speak via the speaker or the pickup, and then you can get the audio from the earphone or sound box at the device-end.

2.4 Alarm Setup

The alarm interface is shown as in Figure 2-4. Please follow the steps listed below for local alarm input and output connection.

- 1) Connect the alarm input device to the alarm input port (No.3 pin or No.4 pin) of the I/O cable.
- 2) Connect the alarm output device to the alarm output port (No.2 pin) and alarm output public port (No.1 pin). The alarm output port supports NO (normal open) alarm device only.
- 3) Open the Web, go to the Figure 2-4. Please set the alarm input 01 port for the first channel of the I/O cable (No.3 pin). The alarm input 02 is for the 2nd channel of I/O cable (No.4 pin). Then you can select the corresponding type (NO/NC.)

4) Set the WEB alarm output. The alarm output 01 is for the alarm output port of the device. It is the No.2 pin of the I/O cable.



Figure 2-4

Please refer to the following figure for alarm input information. See Figure 2-5.

Alarm input: When the input signal is idle or grounded, the device can collect the different statuses of the alarm input port. When the input signal is connected to the 5V or is idle, the device collects the logic "1". When the input signal is grounded, the device collects the logic "0".

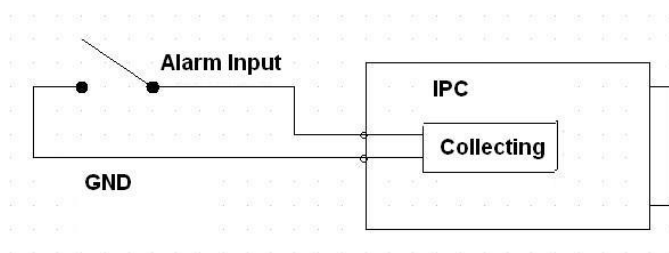


Figure 2-5

Please refer to the following figure for alarm output information. See Figure 2-6.

Port NO and Port C composes an on-off button to provide the alarm output.

If the type is NO, this button is normal open. The button becomes on when there is an alarm output.

If the type is NC, this button is normal off. The button becomes off when there is an alarm output.

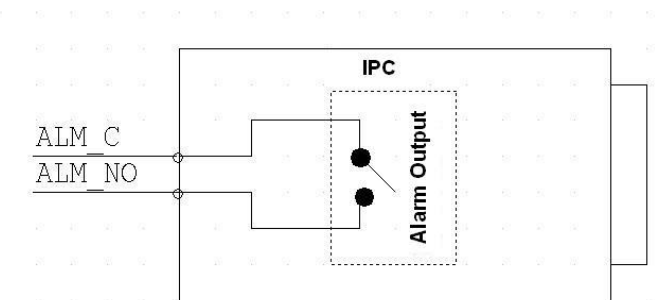


Figure 2-6

3 Device Installation

Please follow the steps listed below to install the device. Please refer to Figure 3-1 for reference.

- Please line up the installation holes of the bottom of the device to the installation holes in the front part of the bracket. Then insert the screws to the holes to fasten the device on the bracket.
- Dig four holes in the wall or the surface, and then input the expansion bolts to the holes and secure.
- Put the four fixed holes of the bottom of the bracket to the four holes you just dug in the wall or surface. Put the four fixed screws to the four holes of the bracket and then secure firmly. Finally you can fix the bracket in the wall or surface.

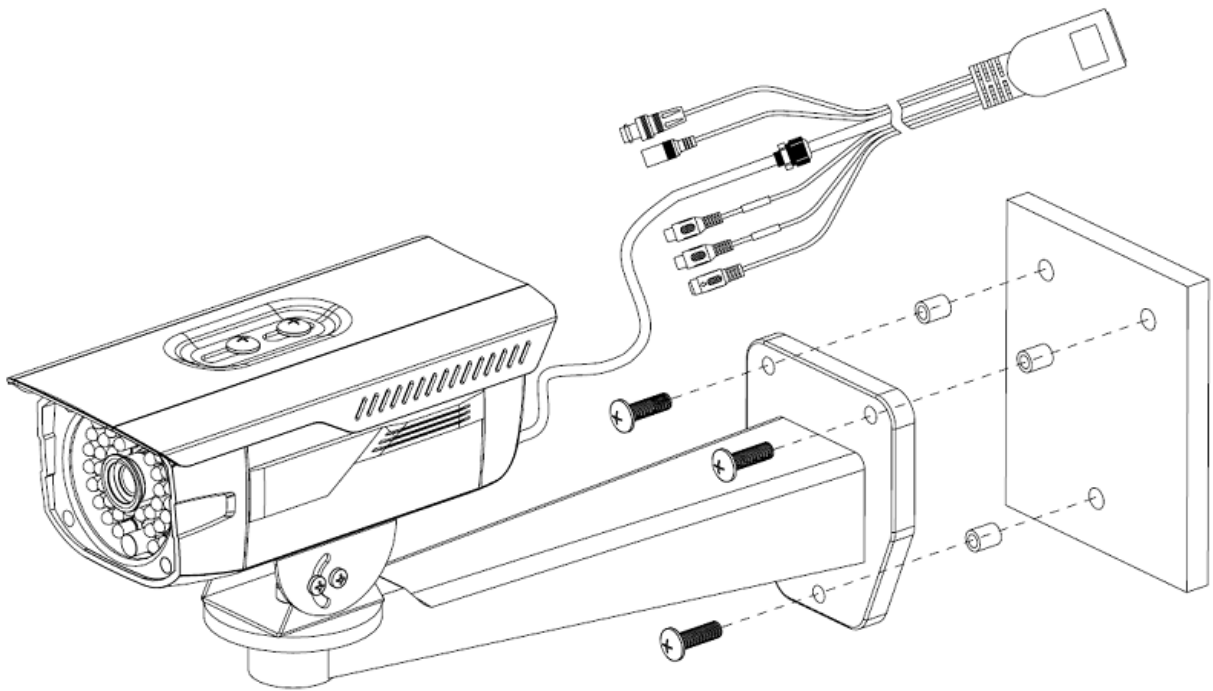


Figure 3-1

4 Quick Configuration Tool

4.1 Overview

Quick configuration tool can search current IP address, modify IP address. At the same time, you can use it to upgrade the device.

Please note the tool only applies to the IP addresses in the same segment.

4.2 Operation

Double click the “ConfigTools.exe” icon, you can see an interface is shown as in Figure 4-1.

In the device list interface, you can view device IP address, port number, subnet mask, default gateway, MAC address and etc.

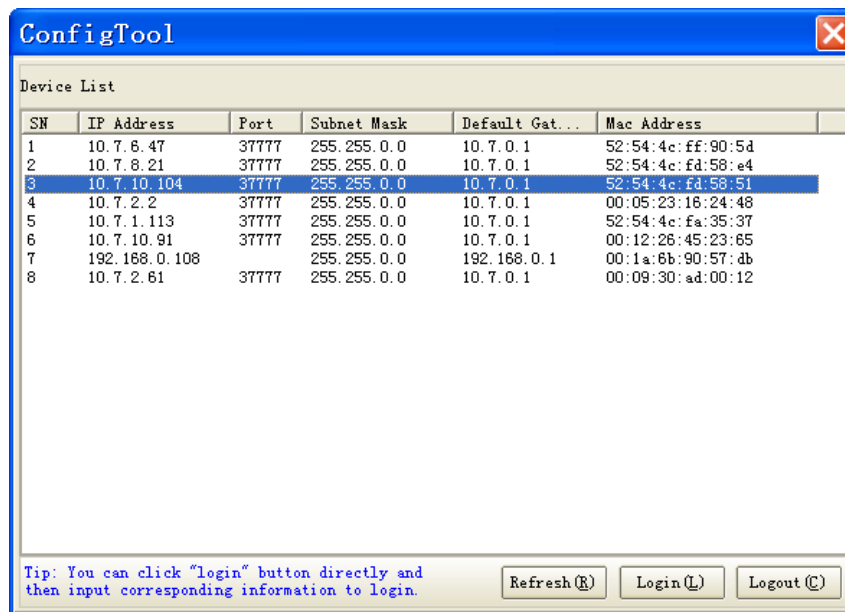


Figure 4-1

Select one IP address and then right click mouse, you can see an interface is shown as in Figure 4-2.

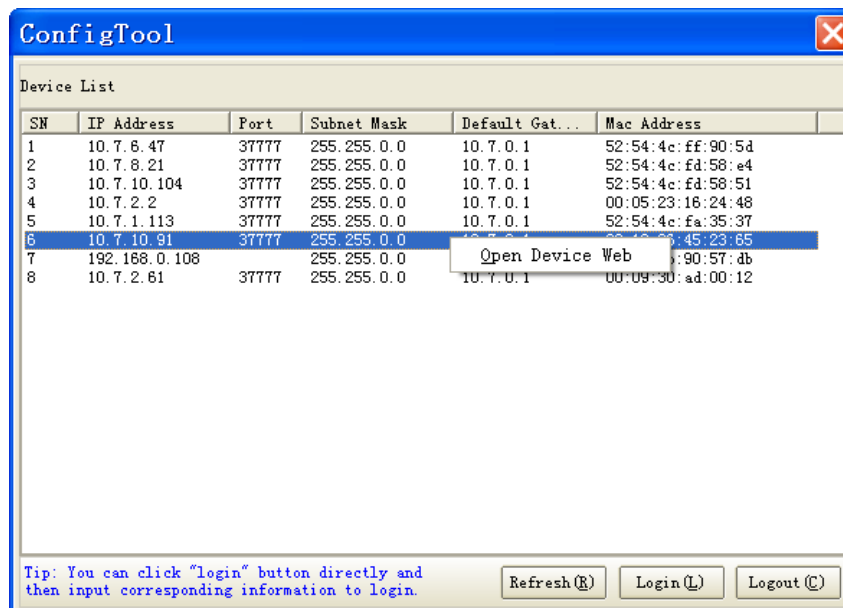


Figure 4-2

Select the “Open Device Web” item; you can go to the corresponding web login interface. See Figure 4-3.

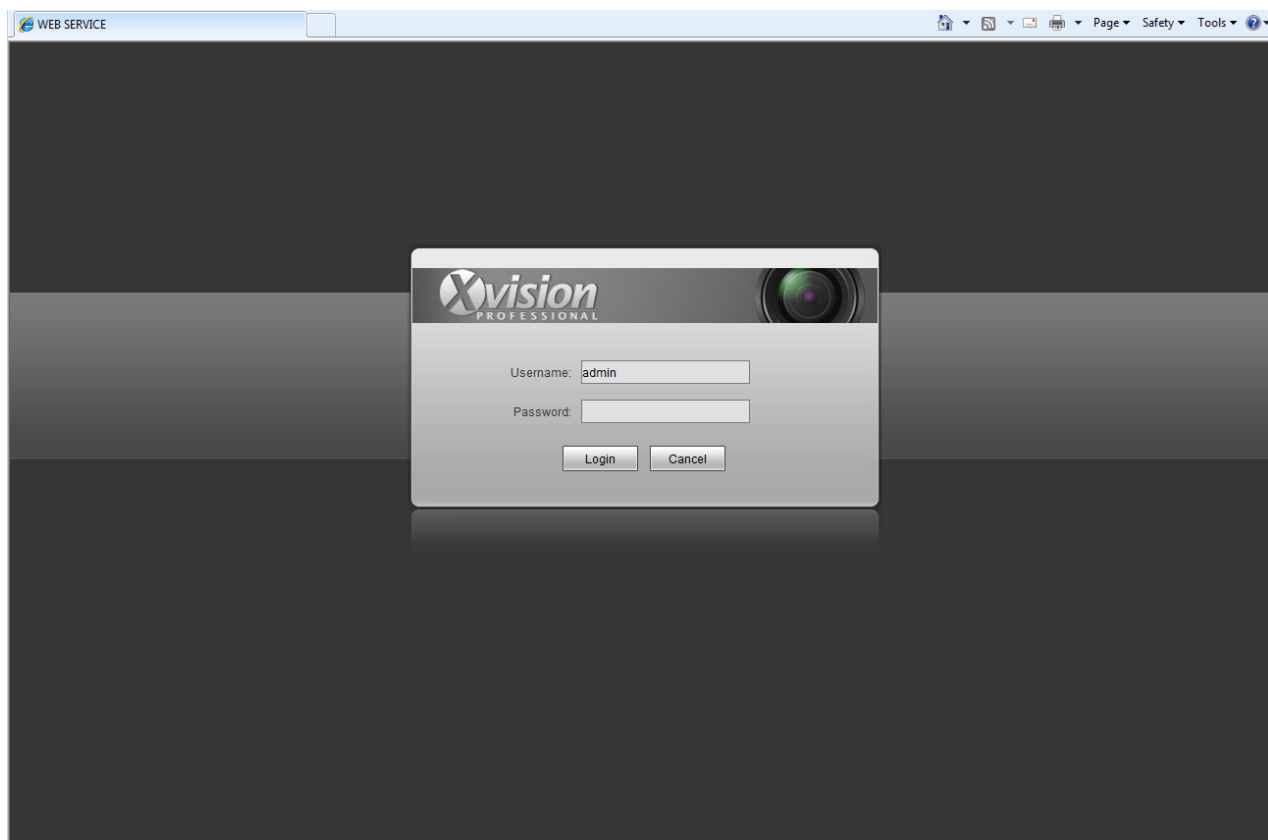


Figure 4-3

If you want to modify the device IP address without logging in the device web interface, you can go to the configuration tool main interface to set.

In the configuration tool search interface (Figure 4-1), please select a device IP address and then double click it to open the login interface. Or you can select an IP address and then click the Login button to go to the login interface. See Figure 4-4.

In Figure 4-4, you can view device IP address, user name, password and port. Please modify the corresponding information to login.

Please note the port information here shall be identical with the port value you set in TCP port in Web Network interface. Otherwise, you can not login the device.

If you are use device background upgrade port 3800 to login, other setups are all invalid.

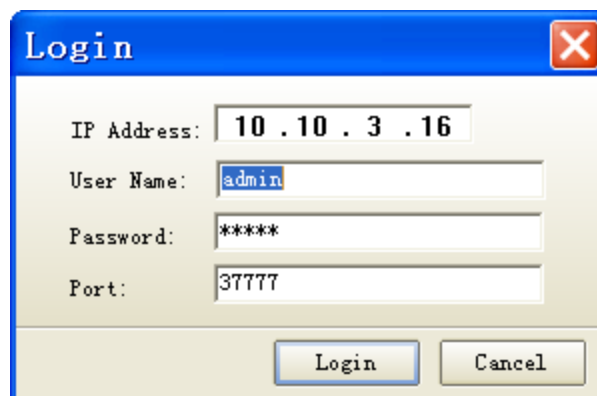


Figure 4-4

After you logged in, the configuration tool main interface is shown as below. See Figure 4-5.

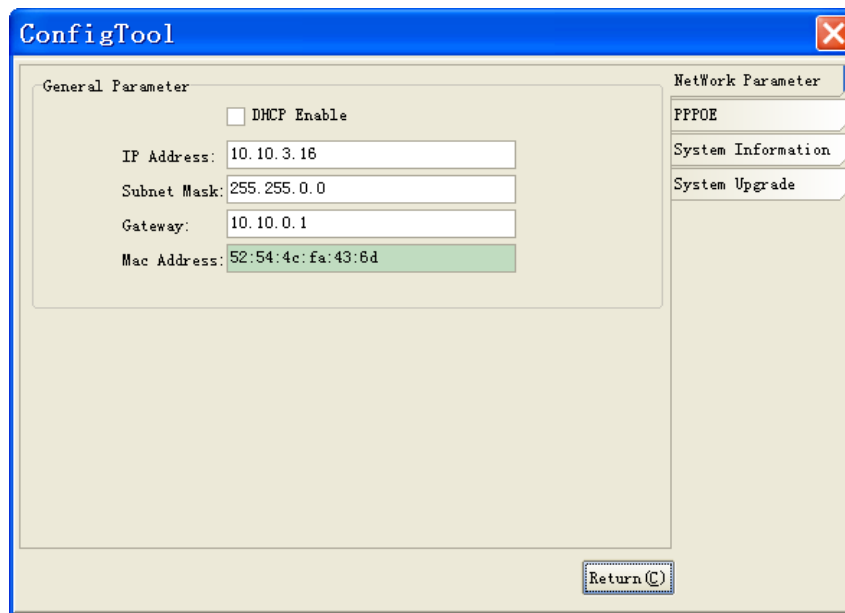


Figure 4-5

5 Web Operation

This series XP3000B product support the Web access and management via PC.

Web includes several modules: monitor channel preview, system configuration, alarm and etc.

5.1 Network Connection

Please follow the steps listed below for network connection.

- Make sure the IPC has connected to the network properly.
- Please set the IP address, subnet mask and gateway of the PC and the IPC respectively. IPC default IP address is 192.168.1.108. Subnet mask is 255.255.255.0. Gateway is 192.168.1.1
- Use order ping `***.***.***.***(* IP camera address)` to check connection is OK or not.

5.2 Login and Logout

Open IE and input IP camera address in the address bar.

For example, if your camera IP is 192.168.1.108, then please input `http:// 192.168.1.108` in IE address bar. See Figure 5-1.

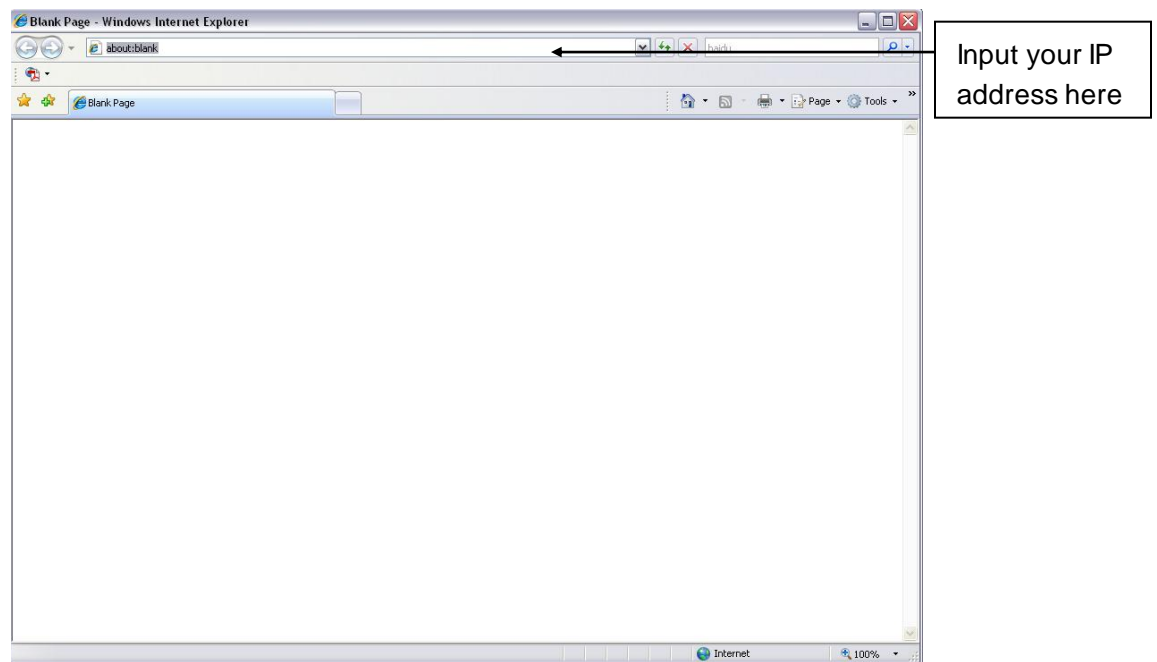


Figure 5-1

The login interface is shown as below. See Figure 5-2.

Please input your user name and password.

Default factory name is admin and password is admin.

Note: For security reasons, please modify your password after you first login.

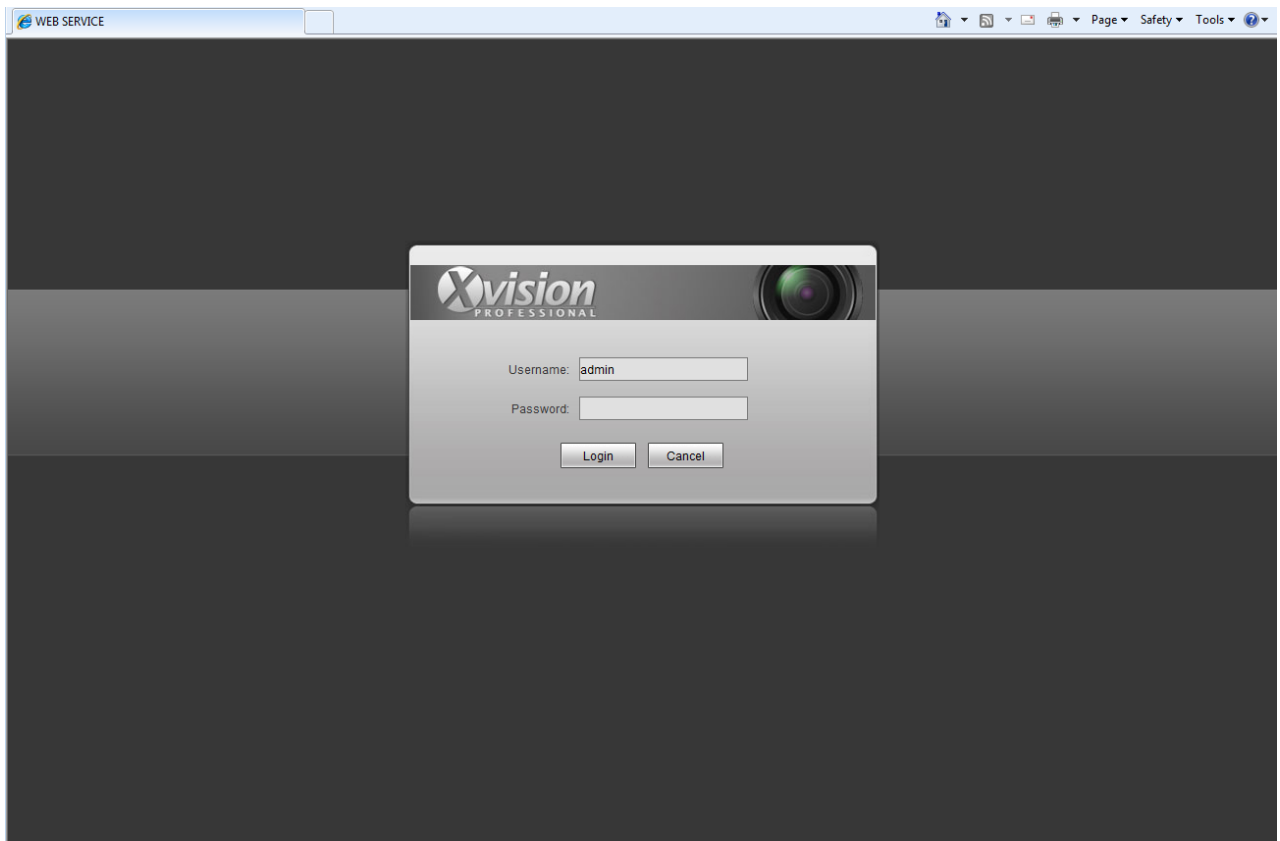


Figure 5-2

If it is your first time to login in, system pops up warning information to ask you whether install control webrec.cab or not after you logged in for one minute. Please click OK button, system can automatically install the control. When system is upgrading, it can overwrite the previous Web too. If you can't download the ActiveX file, please check whether you have installed the plug-in to disable the control download. Or you can lower the IE security level. See Figure 5-3.

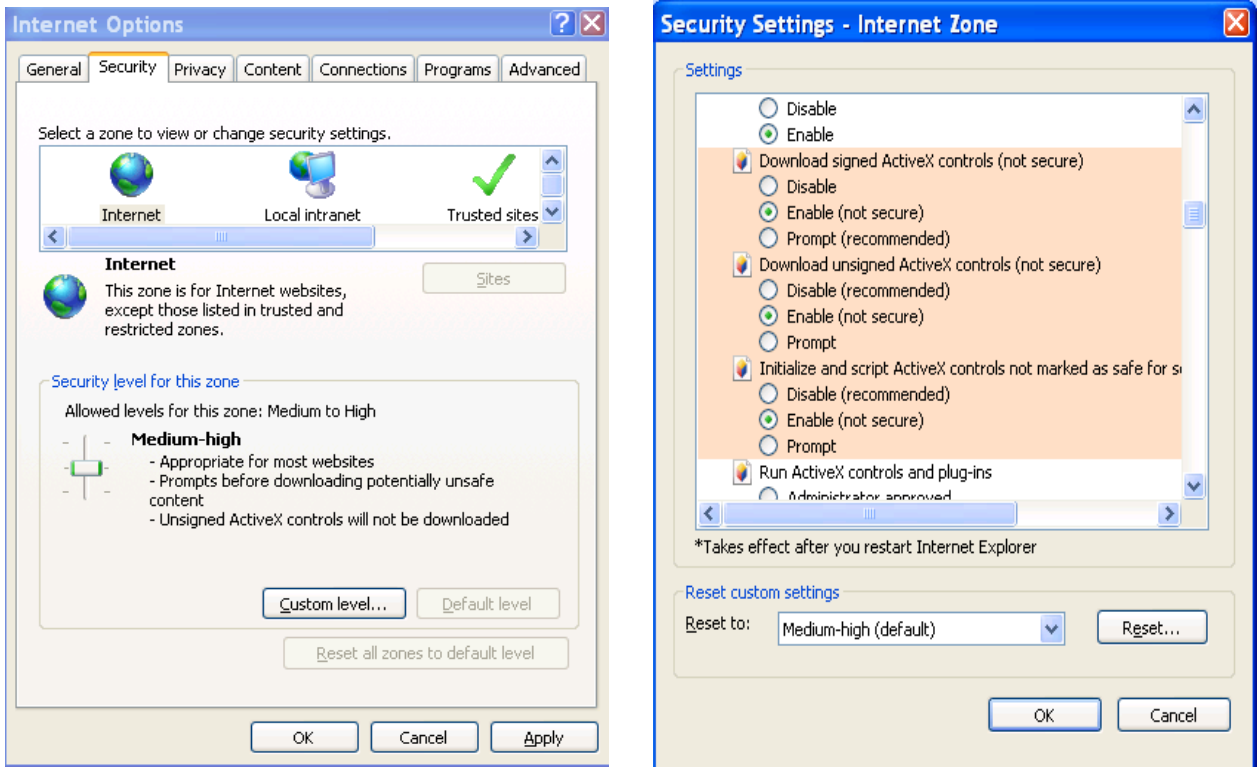
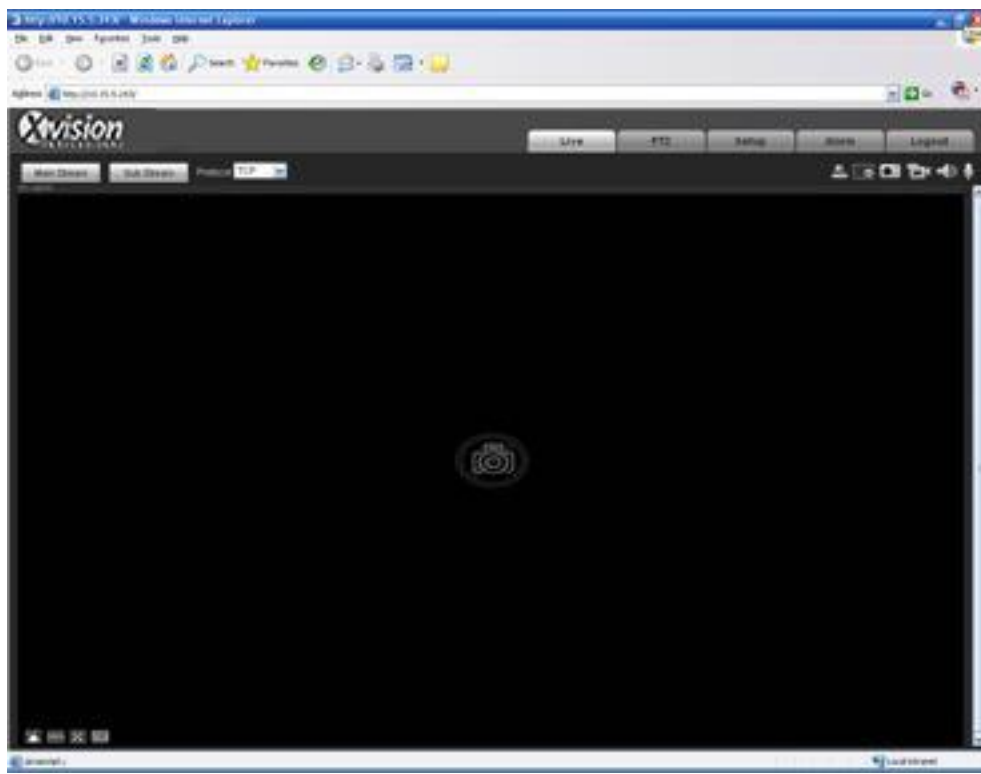


Figure 5-3

After you logged in, you can see the main window. See



Figure

5-4.

Figure 5-4

Please refer to the Web Operation Manual included in the resource CD for detailed operation instruction.

6 FAQ

Bug	
I can not boot up the device.	Please click RESET button for at least five seconds to restore factory default setup.
SD card write times	Do not set the SD card as the storage media to storage the schedule record file. It may damage the SD card duration.
I can not use the disk as the storage media.	When disk information is shown as hibernation or capacity is 0, please format it first (Via Web).
I can not upgrade the device via network.	When network upgrade operation failed, you can use port 3800 to continue upgrade.
Recommended SD card brand	Kingston 4GB, Kingston 1GB, Kingston 16GB, Transcend 16GB, SanDisk 1G, SanDisk 4G Usually we recommend the 4GB (or higher) high speed card in case the slow speed results in data loss.
Audio function	Please use active device for the audio monitor input, otherwise there is no audio in the client-end.
To guarantee setup update	After you modified the important setup, please reboot the device via the software to make sure the setup has been updated to the storage medium.
Power adapter	The power adapter included in the accessories bag can work ranging from 0 °C to 40 °C. The device may result in unstable power supply when the temperature exceeds the working temperature. Please replace an industry-level power adapter if you are using in the harsh environments.

Appendix Toxic or Hazardous Materials or Elements

Component Name	Toxic or Hazardous Materials or Elements					
	Pb	Hg	Cd	Cr VI	PBB	PBDE
Circuit Board Component	○	○	○	○	○	○
Device Construction Material	○	○	○	○	○	○
Wire and Cable	○	○	○	○	○	○
Packing Components	○	○	○	○	○	○
Accessories	○	○	○	○	○	○

O: Indicates that the concentration of the hazardous substance in all homogeneous materials in the parts is below the relevant threshold of the SJ/T11363-2006 standard.

X: Indicates that the concentration of the hazardous substance of at least one of all homogeneous materials in the parts is above the relevant threshold of the SJ/T11363-2006 standard. During the environmental-friendly use period (EFUP) period, the toxic or hazardous substance or elements contained in products will not leak or mutate so that the use of these (substances or elements) will not result in any severe environmental pollution, any bodily injury or damage to any assets. The consumer is not authorized to process such kind of substances or elements, please return to the corresponding local authorities to process according to your local government statutes.

Note

- **This user's manual is for reference only. Slight difference may be found in user interface.**
- **All the designs and software here are subject to change without prior written notice.**
- **If there is any uncertainty or controversy, please refer to the final explanation of us.**
- **Please visit our website for more information.**