

6. Connection

1. Connect the video output (BNC Connector) to a monitor or other video device through a 75 Ohms type coaxial cable.
2. To connect the power source, insert the DC Power plug into the DC Jack on the camera's trailing lead. (as shown in Figure 5).

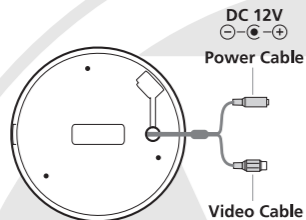


Figure 5

Specifications

Model:	XIR535-3
Picture Type:	Day/Night (Colour & B/W)
Image Sensor:	Sony 1/3" Super HAD CCD
DSP:	Xvision IXC1DN
Resolution:	480/540 TVL
Lens Viewing Angle:	23 to 92°
Minimum Illumination:	0 Lux (IR on), 0.1 Lux (IR off)
Audio:	No
Operating Voltage:	12V DC 280mA
Suggested Power Supply:	12V DC 1250mA
Mounting:	Wall/Ceiling
Weatherproofing:	Yes
Dimensions:	(ØxH) 148x98mm

7. Optional Wall Bracket

The dome camera can be wall mounted with an optional bracket (not supplied) which will allow the camera to be angled at over 90°, something that cannot be done using the standard 3-Axis mechanism. To mount:

1. Attach the camera to the bracket as shown.
2. Fix the wall bracket to the wall surface using the screws and wall plugs supplied.
3. Make adjustments to the camera lens and focus once the camera is in place before closing and securing the dome cover to the base.

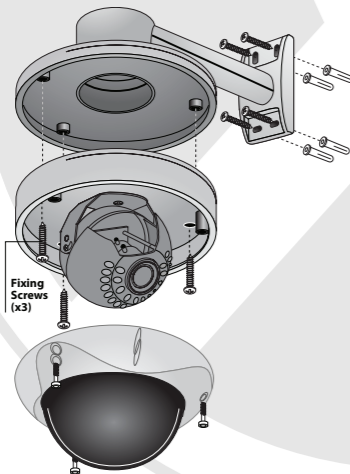


Figure 6

TECHNICAL SUPPORT:

For Technical Support for any Xvision product please contact your local distributor.

LIMITED WARRANTY:

This product is supplied with a 2 Year warranty. The Warranty excludes products that have been misused, (including accidental damage) and damage caused by normal wear and tear. In the unlikely event that you encounter a problem with this product, it should be returned to the place of purchase.

Manufactured exclusively for Xvision - www.x-vision.co.uk



UK/Europe

Xvision Group (UK)
Unit 2, Valley Point,
Beddington Farm Road,
Croydon
Surrey, CR0 4WP
Email: sales@x-vision.co.uk

Far East

Kyoung Am Building
157-27 Samsung-dong
Kangnam-ku
135 090 Seoul
Korea
Email: globalsales@x-vision.co.uk

Middle East

Burjuman Tower,
18th Floor
PO Box 121828
Dubai 43659
United Arab Emirates
Email: mesales@x-vision.co.uk

North America

100 Park Avenue
New York City,
New York
10017
United States
Email: usasales@x-vision.co.uk

Xvision
CCTV



Model: **XIR535-3**

Day/Night 480/540 TVL Vandal Resistant 15m
IR Dome Camera with Varifocal Lens

Before you begin

- Please unpack the box carefully and identify that all the parts are present.
- The camera is suitable for indoor or outdoor use. Please bear in mind the following points when choosing a mounting position.
 - The camera must be positioned so that it will not point directly into the sun (sunrise and sunset) or any bright light, as this may cause damage to the camera.
 - Avoid viewing areas where half the area is in bright sunlight and the other half is dark, such as in the shadow of a building. All types of cameras have difficulty in 'seeing' with such a large lux level variation.
- Do not cut the camera cables, this will void the warranty.
- Make sure you use only the recommended power supply. Damage caused to the camera by incorrect voltage or wiring is not covered by the warranty.

Model:
XIR535-3

Day/Night 480/540 TVL Vandal Resistant
15m IR Dome Camera with Varifocal Lens

Xvision
CCTV

Thank you for purchasing this Xvision camera. Before operating this product, please read this instruction manual carefully.

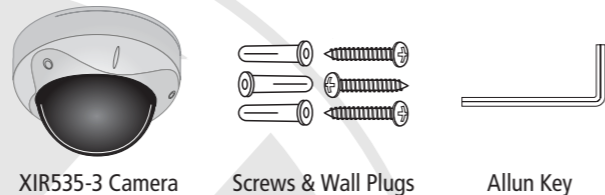
1. Product Description

The XIR535-3 Day/Night Vandal Dome camera is designed for high risk applications and is able to withstand a blow from a 10 pound sledgehammer. It offers very high resolution 480/540 TVL images from its Sony 1/3" Super HAD CCD and has a high quality varifocal lens. It will provide images in light levels as low as 0 lux. The camera is designed for internal or external use and wall or ceiling mounting.

2. Features

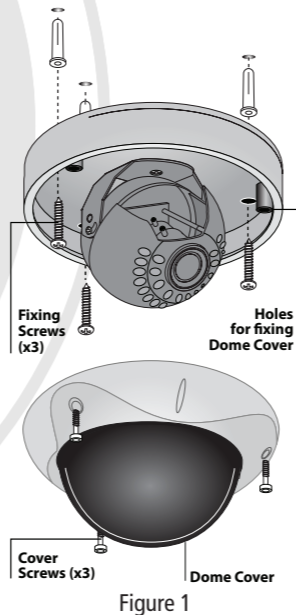
- Very High Resolution CCD sensor provides great quality Colour images in light levels of 0 lux and above
- Sony 1/3" Super HAD CCD image sensor for 480/540 TVL resolution images
- Tamper and Vandal Resistant, can withstand a blow from a 10 pound sledgehammer
- 3-Axis mechanism for flexible wall or ceiling mounting
- 2.8 to 12mm Varifocal Aspherical lens with 23 to 92° viewing angle for super sharp images and easy selection of the optimum viewing angle during installation

3. Contents



4. Installation

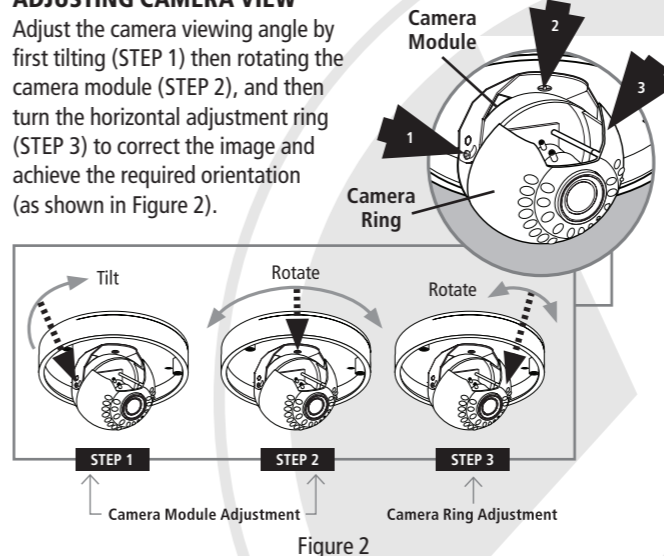
1. Select a suitable position on the wall or ceiling to install the camera. Depending on your installation requirements you can either bring the cables through the side entry or the back entry of the housing.
2. Unscrew the dome cover and remove it from the camera base.
3. Secure the camera base in the desired position with the fixing screws (as shown in Figure 1).
4. Adjust the camera viewing angle. See 'Adjusting Camera View' and 'Adjusting Lens' for more information'.
5. Place the dome cover on the camera base and secure it by tightening the cover screws.



4. Installation continued

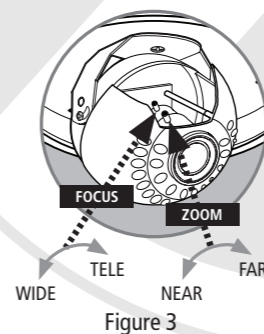
ADJUSTING CAMERA VIEW

Adjust the camera viewing angle by first tilting (STEP 1) then rotating the camera module (STEP 2), and then turn the horizontal adjustment ring (STEP 3) to correct the image and achieve the required orientation (as shown in Figure 2).



ADJUSTING LENS

Make the Zoom Adjustment by rotating the screw anticlockwise for NEAR adjustment and clockwise for FAR adjustment until you get the desired view. Next make the Focal Adjustment by rotating the screw anti-clockwise for TELE adjustment and Clockwise for WIDE adjustment until you get the desired view. After adjustment tighten both.



5. DIP Switch Setting

Figure 4

DIP Switches on the Camera Board

BLC	1	<input type="checkbox"/>	NO
AE	2	<input type="checkbox"/>	NO
AWB	3	<input type="checkbox"/>	NO
AGC	4	<input type="checkbox"/>	NO

5.1. BLC Function

The BLC (Back Light Compensation) function makes objects in front of a bright scene (such as a window on a bright sunny day) clearer to see by increasing their brightness and making the background darker. To turn on the BLC function flick the DIP switch to the BLC position, to turn it off, flick the DIP switch to the OFF position.

5.2. AE Function

For better performance in low light conditions the AE (Automatic Exposure) automatically detects the light level and maintains a clear picture if this mode is activated.

5.3. AWB Function

The AWB (Automatic White Balance) feature automatically adjusts the colour temperature of the camera image to match the type of light available, so that white and other colours appear as natural as possible. It should always be in the AWB position.

5.4. AGC Function

For better performance in low light conditions the AGC (Automatic Gain Control) can be increased from the standard 16db to 26db. This has the effect of making the picture brighter (however it may also add more noise to the picture, as it is amplifying all aspects of the video signal). To increase the AGC flick the DIP switch to the AGC position, to turn leave it as normal, flick the DIP switch to the OFF position.