



Model: **XAM300**  
B/W Entry Phone/  
Monitor

### **Before you begin**

- Please unpack the box carefully and identify that all the parts are present.
- Do not cut the cables, this will void the warranty.
- Make sure you use only the recommended power supply. Damage caused to the unit by incorrect voltage or wiring is not covered by the warranty.

Model:  
**XAM300**  
B/W Entry Phone/Monitor

Thank you for purchasing this Xvision Video Door Entry Phone/Monitor. Before operating this product, please read this instruction manual carefully.

## 1. Safety Precautions



### CAUTION

RISK OF ELECTRIC SHOCK.  
DO NOT OPEN!



CAUTION: TO REDUCE THE RISK OF ELECTRIC SHOCK. NO USER SERVICEABLE PARTS INSIDE. REFER SERVICING TO QUALIFIED SERVICE PERSONNEL.

## 2. Product Description

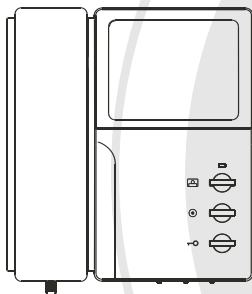
- 2 The XAM300 is an excellent value B/W Video Door Entry Phone/Monitor, designed for ease of use and maximum reliability. It can be used together with any compatible B/W Door Entry Panel from the Xvision Range and features a large B/W 4" Flat Screen for visitor monitoring. The XAM300 includes a Door Release button and allows 2-way communication with the any door entry camera.

## 3. Features

- High Resolution 4" CRT Flat Screen
- Simple to use, 3-button design for Monitor, Call and Door Release for remote opening of door/gate
- Includes Brightness, Contrast and Volume control 4+2 wiring (4 for power, audio, picture and 2 for release)
- Operates on 100 to 240V AC power

- Compatible with XAM300M (Visitor Memory) and XAM300H (Intercom Handset) units in the B/W Door Entry Range
- For use in multi apartment buildings where multiple monitor units can be connected to one entry panel
- Designed for Internal use and wall mounting

## 4. Contents



XAM300-  
Phone/Monitor



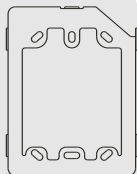
Mounting  
Screws



Securing  
Screw

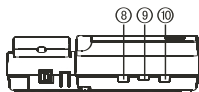
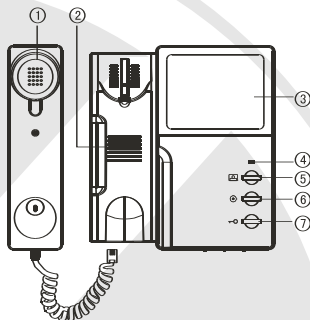


Wall Plugs



Wall Mount  
Bracket

## 5. Controls



4

### 1. Handset

Used for two-way communication with visitors.

### 2. Speaker

Sounds a 'chime' tone when a visitor presses the camera 'call' button.

### 3. 4" B/W Screen

Displays image of a visitor from the camera viewing area.

### 4. Power LED

Lights when power switch is in 'On' position.

### 5. Monitor Button

Press to activate the outside camera and CRT screen and see the camera view.

### 6. Call Button

Press to call the second monitor or intercom phone.

### 7. Door Release Button

Used to unlock an electronic door locking system.

### 8. Volume Control/ Power 'ON/OFF' Switch

Used to adjust the chime sound level/ Used to power the system ON or OFF.

### 9. Colour Adjust Switch

Adjusts the colour balance of the picture.

### 10. Brightness Control Switch

Adjusts the brightness level of the CRT screen.

## 6. Installation- Notes

Use the following points to help you complete a trouble free installation:

### 1. Treat the unit with care

Do not disassemble the unit as you may damage the internal components. Dropping the unit or banging it against another object may cause the unit to malfunction.

### 2. Do not touch the internal components

Do not touch the internal components of the unit. There are no user serviceable parts inside.

### 3. Avoid contact with water

Install the unit where it can be kept dry. If the units gets wet accidentally, turn off the power and contact your dealer.

### 4. Install the unit away from possible sources of interference

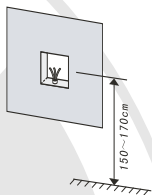
Avoid running cables close to other wiring installations or electrical equipment, such as a TV. These may cause interference to video images. Relocate the cabling or find a new location.

### 5. Check the ambient temperature and humidity

Avoid using the camera in an area where the temperatures are outside the range specified. The quality of images may deteriorate and internal components may be affected.

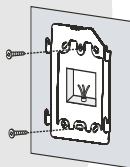
## 6. Installation

1. Choose a suitable location to mount the phone/monitor. The handset should be mounted 1.50 to 1.70m from floor level.

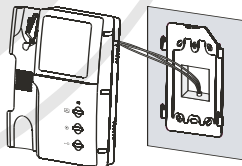


2. Fix the mounting plate to the wall, using the screws supplied (see Fixing Holes Guide). Drill a hole in the centre of the mounting plate large enough to feed the cables through.

6

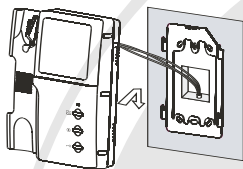


3. Connect the wires from the door entry camera to the connector on the back of the handset.

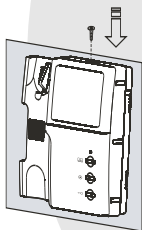


## 6. Installation (continued)

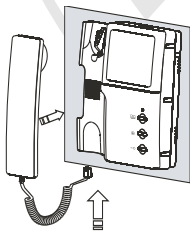
4. Attach the phone/monitor to the mounting plate by placing the handset over the four bracket hooks and sliding the unit



5. Insert the securing screw into the mounting plate to secure the handset.



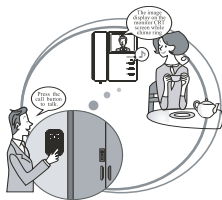
6. Connect the handset cord to the cord on the handset and place the handset in its installation.



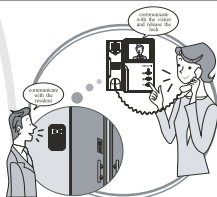
## 7. Operation

Turn power switch ON, use the slide switches to adjust volume and brightness.

1. When the visitor presses the 'Call' button on the door entry camera, the monitor will sound a 'chime' tone to announce that a visitor is at the door. View the visitor on the screen and communicate with the visitor using the handset.



2. After communicating with the visitor you can press the 'Open' button to activate the door lock and open the door.

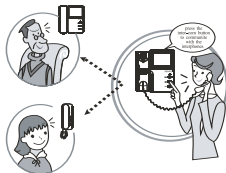


8

3. Press the 'Monitor' button to activate the door entry camera and monitor screen to view the picture from the camera. The image will remain on the screen for 90 seconds or until the handset is replaced.



4. Use the intercom function to ring other phone/monitors or intercom handsets.

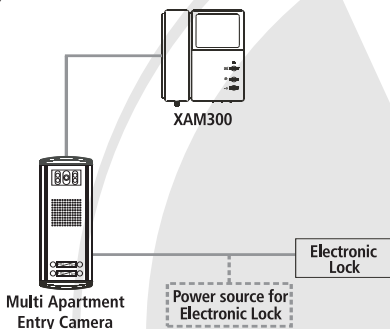




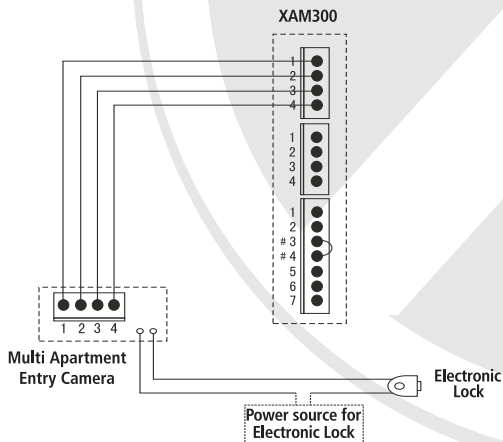
## 8. System & Wiring Diagrams

**Basic:** Multi Apartment Entry Camera/Single Video Door Entry Phone Monitor

### System Diagram



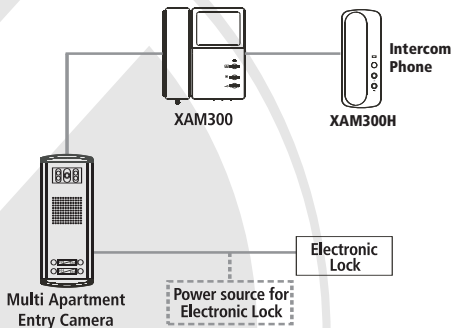
### Wiring Diagram



## 8. System & Wiring Diagrams (continued)

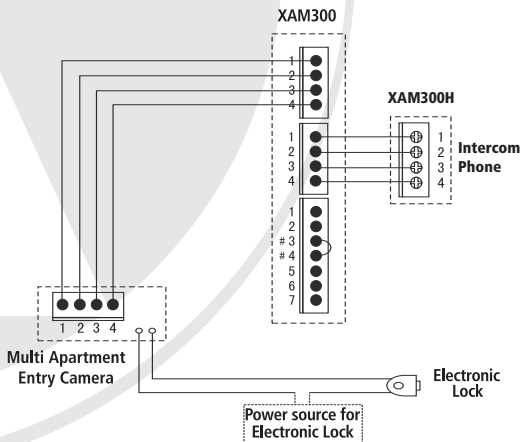
**Option 1:** Multi Apartment Entry Camera/Single Video Door Entry Phone Monitor/Single Intercom Phone

### System Diagram



10

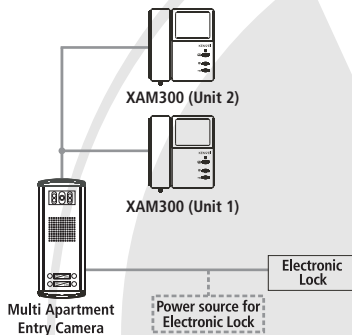
### Wiring Diagram



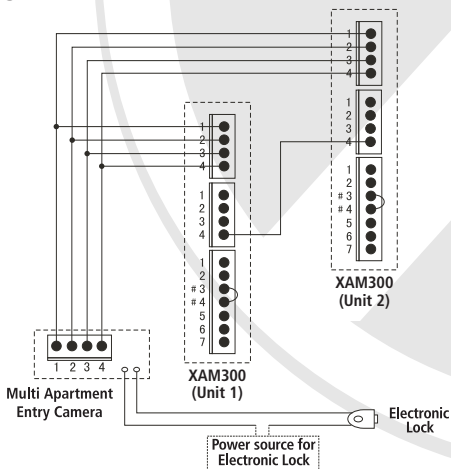
## 8. System & Wiring Diagrams (continued)

**Option 2:** Multi Apartment Entry Camera/Two Video Door Entry Phone Monitors

### System Diagram



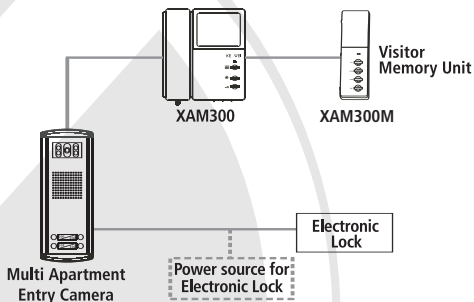
### Wiring Diagram



## 8. System & Wiring Diagrams (continued)

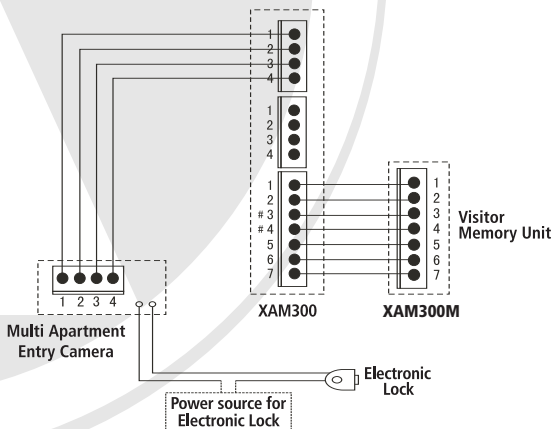
**Option 3:** Multi Apartment Entry Camera/Single Video Door Entry Phone Monitor/Single Visitor Memory Unit

### System Diagram



12

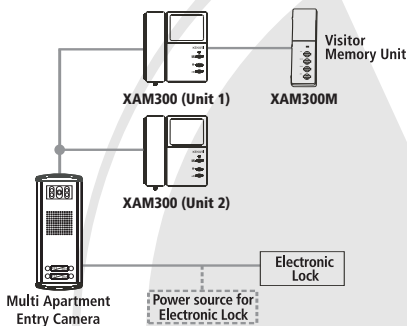
### Wiring Diagram



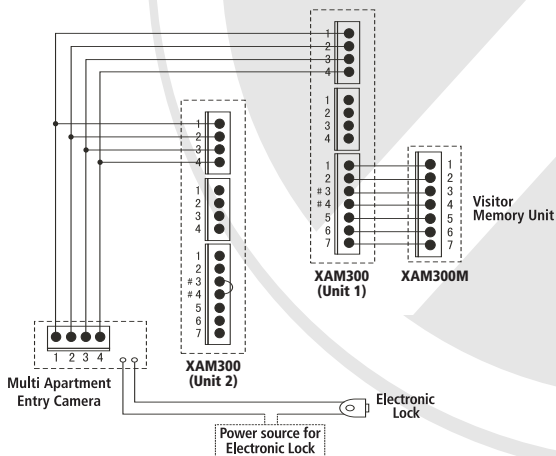
## 8. System & Wiring Diagrams (continued)

**Option 4:** Multi Apartment Entry Camera/Two Video Door Entry Phone Monitors/Single Visitor Memory Unit

### System Diagram



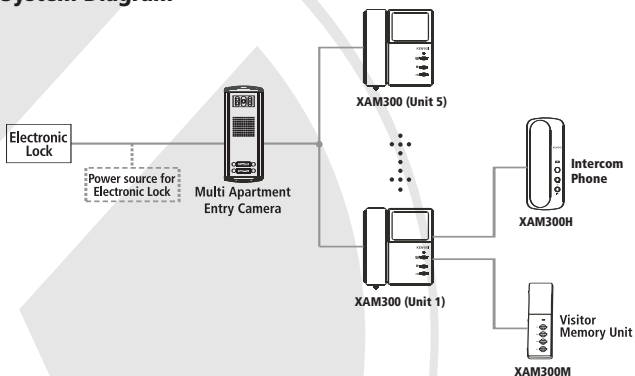
### Wiring Diagram



## 8. System & Wiring Diagrams (continued)

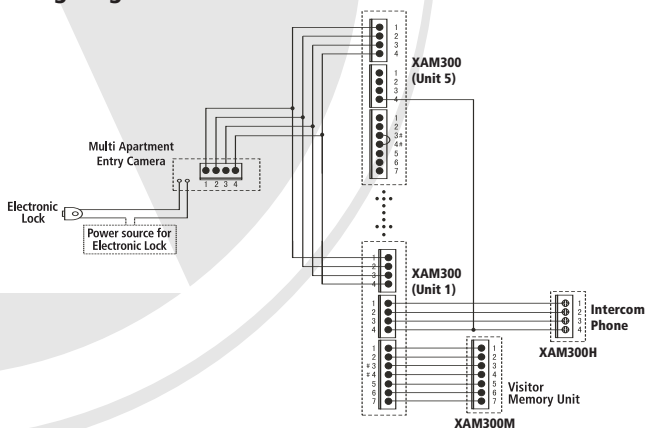
**Option 5:** Multi Apartment Entry Camera/Multiple Video Door Entry Phone Monitors/Visitor Memory Unit/Single Intercom Phone

### System Diagram



14

### Wiring Diagram



## Specifications

<b>Model:</b>	<b>XAM300</b>
Screen Type:	4" B&W
Operating Current:	DC 650mA
Operating Voltage:	110-240V AC
Installation:	4 wire cabling
Call Tone:	Chime sound
Communication Type:	With handset communication
Max. Wiring Distance:	50m (165 feet) (22AWG, 0.65mm 4 wires)
Operating Temperature:	-10°C to +55°C
Weight:	1.2Kg
Dimensions (WxHxD):	183x207x55mm

**TECHNICAL SUPPORT:**

For Technical Support for any Xvision product please contact your local distributor.

**LIMITED WARRANTY:**

This product is supplied with a 1 Year warranty. The Warranty excludes products that have been misused, (including accidental damage) and damage caused by normal wear and tear. In the unlikely event that you encounter a problem with this product, it should be returned to the place of purchase.



Manufactured exclusively for:

**Xvision (Europe) Group,**

Head Office: London, U.K.

Email: [info@x-vision.co.uk](mailto:info@x-vision.co.uk)

Web: [www.x-vision.co.uk](http://www.x-vision.co.uk)