

XvisionTM

CCTV



XA200 System

Model: **XA001**
Audio Door Entry System
with Single Phone

Model: **XA002**
Audio Door Entry System
with Two Phones

Before you begin

- Please unpack the box carefully and identify that all the parts are present.
- Do not cut the cables, this will void the warranty.
- Make sure you use only the recommended power supply. Damage caused to the unit by incorrect voltage or wiring is not covered by the warranty.

Model:
XA001/XA002
Audio Door Entry System with
Single/Two Phone(s)

Thank you for purchasing this Xvision Audio Door Entry System. Before operating this product, please read this instruction manual carefully.

1. Safety Precautions



CAUTION

RISK OF ELECTRIC SHOCK.
DO NOT OPEN!



CAUTION: TO REDUCE THE RISK OF ELECTRIC SHOCK. NO USER SERVICEABLE PARTS INSIDE. REFER SERVICING TO QUALIFIED SERVICE PERSONNEL.

2. Product Description

- 2 The XA001 and XA002 are excellent value Audio Door Entry Systems, designed for ease of use and maximum reliability. Both systems include a Call unit with speaker and microphone. The XA001 comes with a single Phone unit and the XA002 comes with two Phone units. Both systems include a Door Release button and allow 2-way communication with the Call unit.

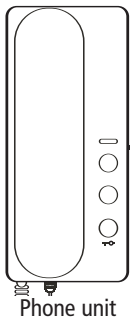
3. Features

- Easy to use, single button Phone unit(s) for Call and Door Release for remote opening of door/gate
- XA001 operates on 2+2 wiring (2 for power, audio and 2 for release), XA002 operates on 3+2 wiring (3 for power, audio and 2 for release).
- Phone unit operates on 220V to 240V AC power.
- Call unit powered via the Phone unit(s)

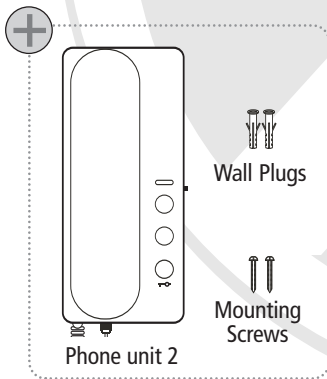
- Phone unit requires Internal Wall mounting.
- Call unit can be mounted externally

4. Contents

XA001 System:

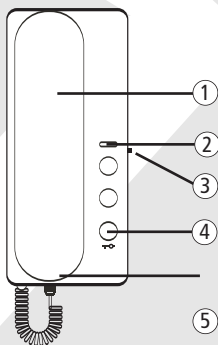


XA002 System - includes an additional Phone unit



5. Controls

PHONE UNIT



4

1. Handset

Used for two-way communication with callers.

2. Power indicator

Lights when power switch is in 'ON' position.

3. Chime Switch

Used to adjust the chime sound on the Phone unit.

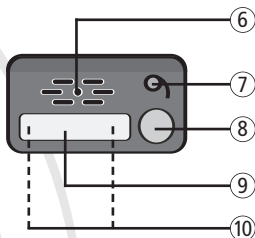
4. Door Release Button

Used to unlock an electronic door locking system.

5. Handset cord

Flexible cord between Phone handset and unit.

CALL UNIT



6. Speaker

Used to transmit sound from Phone unit.

7. Microphone

Used to speak into for two-way communication with Phone unit

8. Call Button

Press to call the Phone unit

9. PVC Cover

Can be used to label unit for identifying the premises

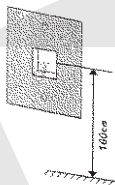
10. Mounting Screw holes

Remove PVC Cover to access the holes during installation

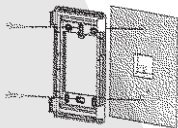
6. Installation

A. Installation of the Phone unit(s)

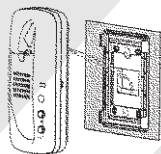
1. Choose a suitable location to mount the phone(s). The handset should be mounted 1.50 to 1.70m from floor level.



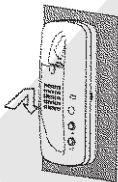
2. Fix the mounting plate (detachable from unit) to the wall, using the screws supplied. Drill a hole in the centre of the mounting plate large enough to feed the cables through.



3. Connect the wires from the door entry phone to the connector on the back of the handset.



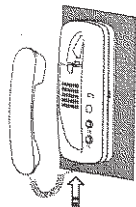
4. Attach the phone unit to the mounting plate by placing the handset over the four bracket hooks and sliding the unit down.



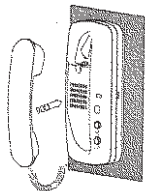
...continued overleaf

6. Installation (continued)

5. Connect the handset cord to the connector on the bottom of the handset

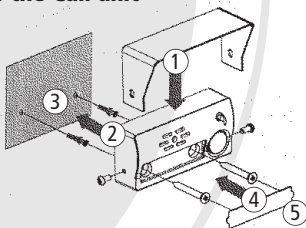


6. Place the handset in the cradle to complete the installation.



6

B. Installation of the Call unit



1. Ensure weatherproof cover is fitted to the Call unit.
2. Determine the position of the unit and install the Wall plugs.
3. Drill a hole in the centre of the Wall Plugs large enough to feed the cable through.
4. Secure the unit using the screws supplied. (Remove PVC Cover to access mounting holes).
5. Re-attach the PVC cover to complete installation.

6. Installation- Notes

Use the following points to help you complete a trouble free installation:

1. Treat the unit with care

Do not disassemble the unit as you may damage the internal components. Dropping the unit or banging it against another object may cause the unit to malfunction.

2. Do not touch the internal components

Do not touch the internal components of the unit. There are no user serviceable parts inside.

3. Avoid contact with water

Install the Phone unit where it can be kept dry. If the units gets wet accidentally, turn off the power and contact your dealer. The Call unit is weatherproof and can be mounted externally, though care should be taken not to submerge the unit in water.

4. Install the unit away from possible sources of interference

Avoid running cables close to other wiring installations or electrical equipment. These may cause interference to the audio images. Relocate the cabling or find a new location.

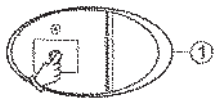
5. Check the ambient temperature and humidity

Avoid using the camera in an area where the temperatures are outside the range specified. The quality of images may deteriorate and internal components may be affected.

7. Operation

Turn mains power switch ON, use the side switch to adjust chime sound on the Phone unit.

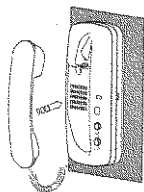
1. When the visitor presses the 'Call' button on the Call unit, the Phone unit will sound a 'chime' tone to announce that a visitor is at the door. Communicate with the visitor using the handset.



2. After communicating with the visitor you can press the 'Door Release' button to activate the door lock and open the door.



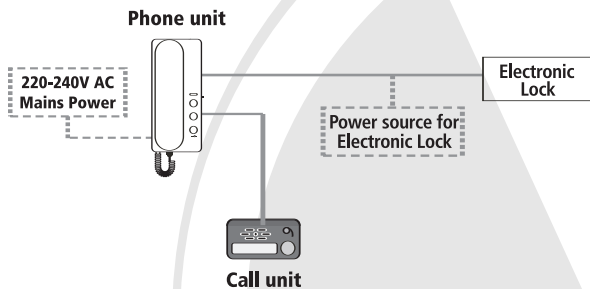
3. Simply replace the handset when the conversation is over



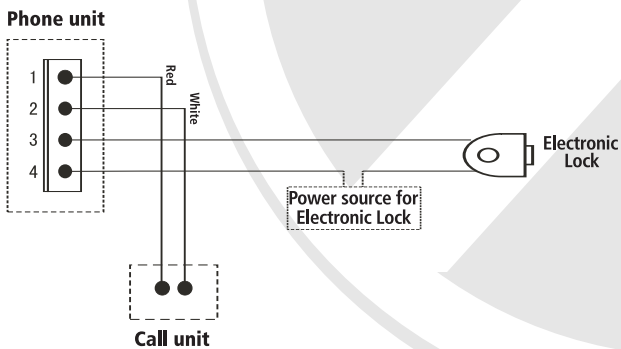
8. XA001 System & Wiring Diagram

XA001: Audio Door Entry Call unit / Single Phone unit

System Diagram



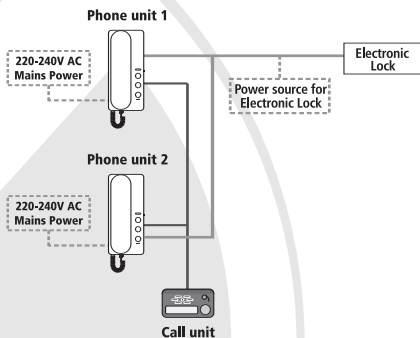
Wiring Diagram



9. XA002 System & Wiring Diagram

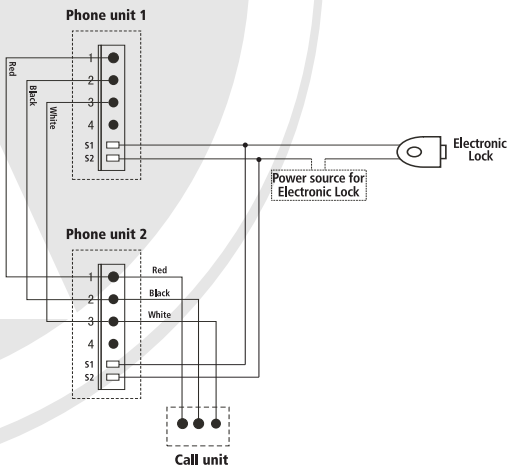
XA002: Audio Door Entry Call unit / Two Phone units

System Diagram



10

Wiring Diagram



Specifications

Model: XA001/XA002

Operating Voltage: Phone Unit: 220-240V AC
Call Unit: 9V DC, 20mA

Installation: Call Unit: 2 wire cabling
XA001 Phone Unit: 2 wire cabling
XA002 Phone Units: 3 wire cabling

Call Tone: Chime sound

Communication Type: With handset communication

Max. Wiring Distance: 150 metres
(0.8mm copper wire)

Operating Temperature: -10°C to +55°C

Weight: Phone Unit: 0.6kg
Call Unit: 0.45kg

Dimensions (WxHxD): Phone Unit: 89x220x75mm
Call Unit: 80x40x30mm

TECHNICAL SUPPORT:

For Technical Support for any Xvision product please contact your local distributor.

LIMITED WARRANTY:

This product is supplied with a 1 Year warranty. The Warranty excludes products that have been misused, (including accidental damage) and damage caused by normal wear and tear. In the unlikely event that you encounter a problem with this product, it should be returned to the place of purchase.



Manufactured exclusively for:

Xvision (Europe) Group,

Head Office: London, U.K.

Email: info@x-vision.co.uk

Web: www.x-vision.co.uk