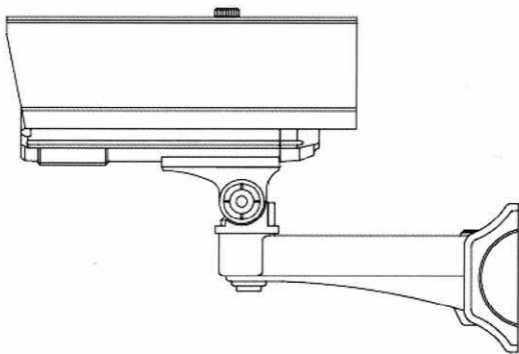


USER MANUAL

**Professional Day&Night
Weather-proof Camera
(Built-in Infrared Illuminator)**



x-vision

VIS449XR Varifocal Day/Night Camera

Feature	02
Warning & Caution	03
Warning	04
Caution	05
Configuration	07
Accessories	08
How to install	09
Function	11
Dimension	12
Specification	13
Troubleshooting	14
Warranty Card	15

1. Long visible range at night.(30m ~ 60m)
2. This product can match for any circumstances very well.
3. This product is suitable for 24 hours surveillance with optical multi-coating filter according to IR LED and CCD.
4. This product is weather proof to resist rain, snow and other weather factors.
5. This product is made of corrosion-free surface to resist rust and corrosion for a long time.
6. This camera has a special lens with the low reflection ND filter which can match for low light and bright condition.
7. Sunvisor of this product can help the camera get the picture clearly.
8. Iris Level, BLC, FLK, can be controlled by the external DIP switch.
9. Power & video cables are concealable. (Cable through bracket).

-Follow the instructions-

Please follow below instructions for safe use.

Information

Read this user guide carefully before any installation for safe operation of product.

**WARNING**

Indicating the possibility of serious injury or death.

**CAUTION**

Indicating the possibility of injury or material loss.

-Please study the instruction manual before your applications and keep it for your future reference.



-Do not flash LED light directly on the eyes when LEDs are on.



-Do not install the camera on a unstable surface. It will cause falling or other hazards.



-Do not use improper power, it could cause fire or electric shock.



-Do not disassemble or re-model the camera, it could cause fire, electric shock or other hazards.



-Stop using the camera when you find a malfunction like smoke or unusual heat, it could cause fire or electric shock.



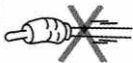
-Do not adhere dangerous articles to the camera



-Do not leave the unit along an unstable stand or table.



-DC power cable or Video cable should be always loose. Do not keep the cables tight or twisted.



-Use the camera unit within given temperature and electricity limit.



-Make sure that installation should be done by qualified service person only.



-Do not disassemble the unit by yourself. When there is problem with the unit please contact after-sale service center or the shop where you bought.



-Stop operating and separate connector from the unit if below cases happen.

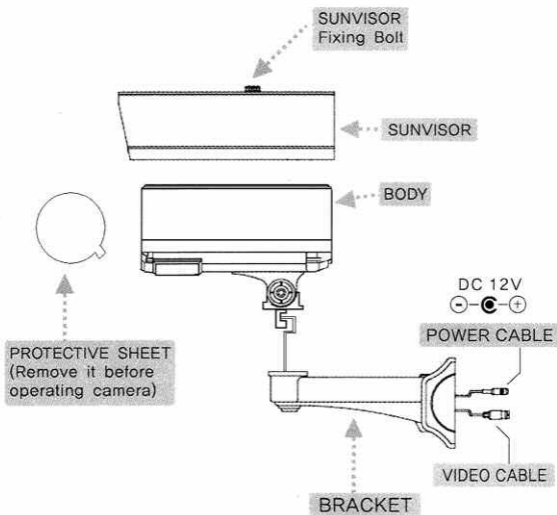


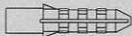
- 1) When power connector or video connector is broken.
- 2) When body is broken and dropped.
- 3) When it is not operating though it is set correctly by the manual.

If you meet any strange cases,
please call the shop where you
purchased.

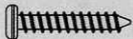


If the product is to be put out of operation definitively, take it to a local recycling plant for a disposal which is not harmful to the environment.

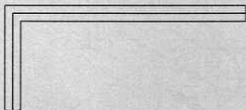




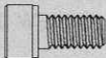
▶ ANCHORS 8x35 4EA



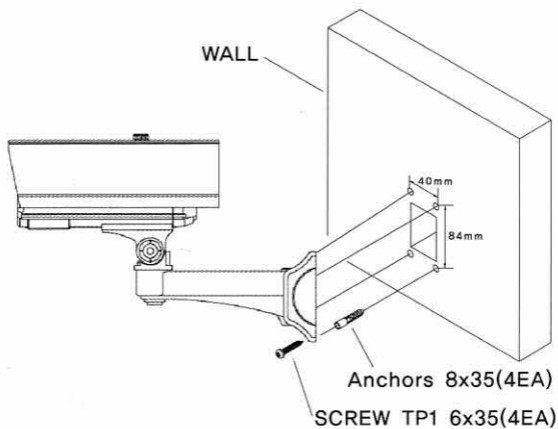
▶ SCREW 6x35 TP1 BIND SUS 4EA



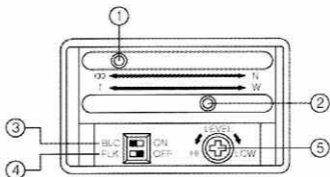
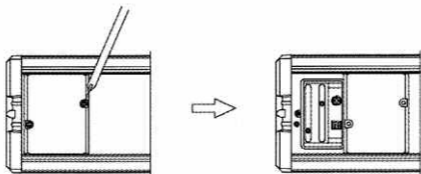
▶ HEXAGON WRENCH 6,0mm L TYPE 1EA

▶ BOLT M8X12 1EA
HEXAGON SOCKET HEAD, SUS, 1EA

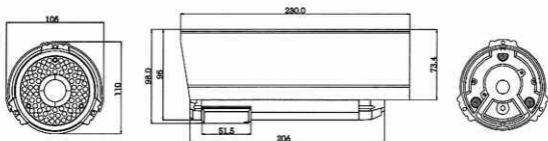
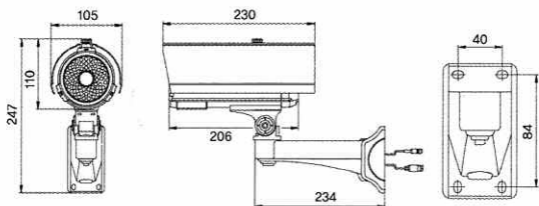
▶ MANUAL



1. Make a hole on the wall
2. Insert the screw anchors.
3. Fix the screws.



1. Focus control lever
2. Zoom control lever
3. BLC: Back Light Compensation ON/OFF Switch
4. FLK: Flickerless ON/OFF Switch
5. LEVEL: DC Level control VR



Type	Day & Night Color Camera(With IR Illuminator)		
Image Sensor	1/3' SONY CCD with x-vision DSP		
Effective Pixel	786(H) x 494(V)PIXEL(NTSC) 752(H) x 582(V)PIXEL(PAL)		
Cell size	6.35 μ m(H) x 7.4 μ m(V)(NTSC) 6.5 μ m(H) x 6.25 μ m(V)(PAL)		
TV Type	NTSC, PAL		
Sync. Type	Internal		
Scanning System	2:1 Interlace		
Scan.Freq.(HOR.)	NTSC	15.734kHz	PAL 15.625kHz
Scan.Freq.(VERT.)	NTSC	59.94Hz	PAL 50Hz
Video Output	1.0Vp-p(Sync,Negative) Termination 75 Ω		
Gamma Characteristic	$\gamma=0.45$ Typ.		
S/N Ratio	48dB over(AGC OFF)		
Gain(AGC)	Auto		
Back Light Compensation(BLC)	On / Off		
Flicker less(FLK)	On / Off		
External Control	YES		
Day&Night	Auto(Built-in CDS sensor)		
Shutter Speed (Electronic)	1/60(NTSC) 1/50(PAL)		
Test illuminance area	Average test illumination by front view		
Power Supply	Regulated DC 12V		
Consumption Current	Usual operation(Color) : Max.190mA(at DC 12V) LED On : Max. 1A(at DC 12V)		
Operation Temp	-10 $^{\circ}$ C ~ 50 $^{\circ}$ C		
Preservation Temp	-20 $^{\circ}$ C ~ 60 $^{\circ}$ C		
LED	48PCS		
LENS	Vari focal Auto Iris Lens		
Dimension	105(W) X 110(H) X 230(D)mm		
Weight	Net: 2.4kg / Gross:3.0kg		

*The specification is subject to change without any prior notice to improve the quality.

Problem	Solution
Nothing appears on the screen.	<ul style="list-style-type: none">• Check if the power cord and line connection between the camera and monitor are connected properly
The image on the screen is dim	<ul style="list-style-type: none">• Check whether the window is stained. If dirty, clean the lens with soft and clean cloth
The image on the screen flickers	<ul style="list-style-type: none">• Dose the camera face to the sun directly or fluorescent light? Change the camera position
The contrast on the screen is too weak	<ul style="list-style-type: none">• Adjust the contrast feature of the monitor• If the camera is exposed under too strong light, change the camera position

*If you can not solve the problem, please contact an authorized technician

