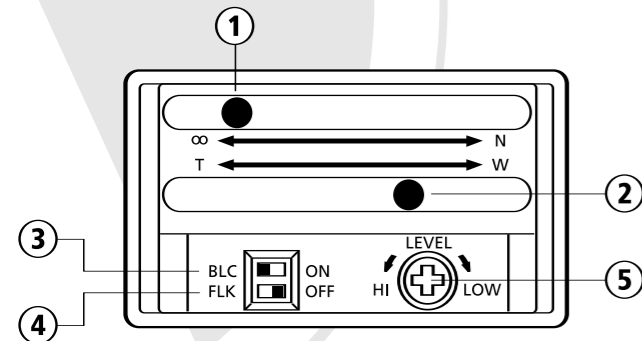
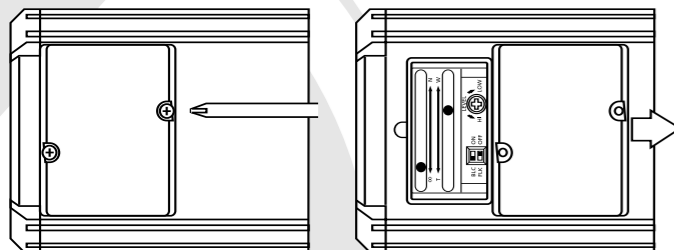


7. Controls

1. To access the lens adjustments and other controls unscrew the retaining screws and slide back the cover plate.
(as shown below).



1. Focus Control Lever
2. Zoom Control Lever
3. BLC: Back Light Compensation ON/OFF Switch
4. FLK: Flickerless: ON/OFF Switch
5. LEVEL: DC Lever Control VR

Specifications

Model: VIS449XR/VIS492XR

Picture Type: Day/Night
(B/W & Colour)

Image Sensor: Sony 1/3" Ex View CCD

DSP: Xvision IXC1DN

Resolution: 500 TVL

Lens Viewing Angle: VIS449XR- 30 to 64°
VIS492XR- 12 to 30°

Infra Red Nightvision: 60 metres

Minimum Illumination: 0.05 Lux

Audio: No

Operating Voltage: 12V DC 1100mA

Suggested Power Supply: 12V DC 3500mA

Mounting: Wall

Weatherproofing: Yes

Dimensions (WxHxD): 105x110x230mm

TECHNICAL SUPPORT:

For Technical Support for any Xvision product please contact your local distributor.

LIMITED WARRANTY:

This product is supplied with a 3 Year warranty. The Warranty excludes products that have been misused, (including accidental damage) and damage caused by normal wear and tear. In the unlikely event that you encounter a problem with this product, it should be returned to the place of purchase.

The 3 year warranty excludes the Infra Red LEDs which are guaranteed for only 1 Year. Should you require replacement LEDs please contact your local distributor.



Manufactured exclusively for:
Xvision (Europe) Group,
Head Office: London, U.K.
Email: info@x-vision.co.uk
Web: www.x-vision.co.uk

Xvision™
CCTV

Xvision™
CCTV



Model: VIS449XR
Colour 60m Long Range
IR Nightvision Camera

Model: VIS492XR
Colour 60m Long Range
IR Nightvision Camera

Before you begin

- Please unpack the box carefully and identify that all the parts are present.

The camera is suitable for indoor or outdoor use. Please bear in mind the following points when choosing a mounting position.

- The camera must be positioned so that it will not point directly into the sun (sunrise and sunset) or any bright light, as this may cause damage to the camera.
- Avoid viewing areas where half the area is in bright sunlight and the other half is dark, such as in the shadow of a building. All types of cameras have difficulty in 'seeing' with such a large lux level variation.

- Do not cut the camera cables, this will void the warranty.
- Make sure you use only the recommended power supply. Damage caused to the camera by incorrect voltage or wiring is not covered by the warranty.

Model:
VIS449XR/492XR
Colour Long Range IR Zoom
Cameras with 100m Nightvision

Thank you for purchasing this Xvision camera. Before operating this product, please read this instruction manual carefully.

1. Safety Precautions



CAUTION

RISK OF ELECTRIC SHOCK.
DO NOT OPEN!



CAUTION: TO REDUCE THE RISK OF ELECTRIC SHOCK, DO NOT OPEN COVERS UNLESS MAKING LENS ADJUSTMENTS. NO USER SERVICEABLE PARTS INSIDE. REFER SERVICING TO QUALIFIED SERVICE PERSONNEL.

- When in use please avoid direct contact with eyes and do not touch the camera body as it can get very hot.
- When installing the camera, please avoid pointing it directly at paper or flammable materials.
- Please avoid all direct contact with the tempered glass dome cover to avoid contamination. If you need to clean the dome cover use cotton wool balls dipped in alcohol or glass wipes.

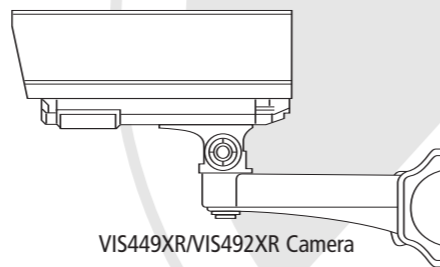
2. Product Description

The VIS449XR and VIS492XR colour long range IR cameras are designed for high risk applications. They offer super high resolution 500 TVL images from their Sony 1/3" Ex View CCD sensor and will provide images in complete darkness up to 20 metres and beyond 20 metres in light levels above 0.05 lux. The cameras are able to see in complete darkness at distances up to 60 metres. They feature Varifocal Auto Iris Lens and cable managed bracket and are designed for internal or external use and can be wall mounted.

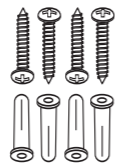
3. Features

- Sony 1/3" Ex View CCD image sensor for 500 TVL resolution images and 0.05 lux low light sensitivity
- The VIS449XR features an Xvision Pixel+ Varifocal Auto Iris 4.0 to 9.0mm lens with 30° to 64° viewing angle for super sharp images and easy selection of the optimum viewing angle during installation. The VIS492XR features an Xvision Pixel+ Varifocal Auto Iris 9.0 to 22.0mm lens with 12° to 30°.
- Integrated Long Life Infra Red LEDs turn on automatically when the camera switches to B/W mode and provide up to 60 metres nightvision.

4. Contents



VIS449XR/VIS492XR Camera



4x Fixing Screws
4x Wall Plugs

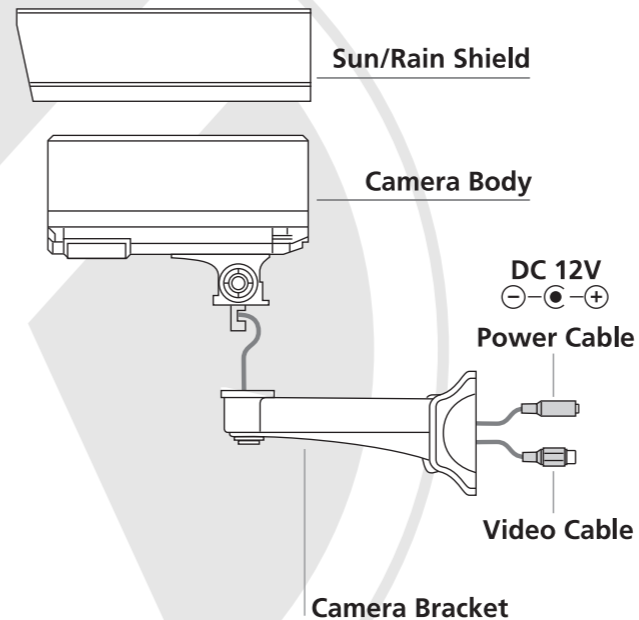


Hex Wrench



Hex Head Bolt

5. Product Assembly



6. Installation

1. Make a hole in the wall approximately 30mm wide x 40mm deep.
2. Drill 4 holes and insert the wall plugs.
3. Feed the cables into the wall before fixing the camera using the 4 fixing screws

