

## Specification

**Model:** VIS030IR

Illuminance Distance: Up to 30 metres

Beam Spread Angle: 40°

Wave Length: 850nm

Infra Red: 98 IR LEDs, Life: 6000 hours

Illuminator Active Limit: Under 10 Lux (linear control)

Audio: No

Operating Voltage: 12V DC 1750mA

Suggested Power Supply: 12V DC 3500mA Regulated

Mounting: Wall

Weatherproofing: Yes: IP66

Dimensions: Ø104.7x182.5mm

### TECHNICAL SUPPORT:

For Technical Support for any Xvision product please contact your local distributor.

### LIMITED WARRANTY:

This product is supplied with a 2 Year warranty. The Warranty excludes products that have been misused, (including accidental damage) and damage caused by normal wear and tear. In the unlikely event that you encounter a problem with this product, it should be returned to the place of purchase.



Manufactured exclusively for:  
**Xvision (Europe) Group**,  
Head Office: London, U.K.  
Email: [info@x-vision.co.uk](mailto:info@x-vision.co.uk)  
Web: [www.x-vision.co.uk](http://www.x-vision.co.uk)

**Xvision**  
CCTV



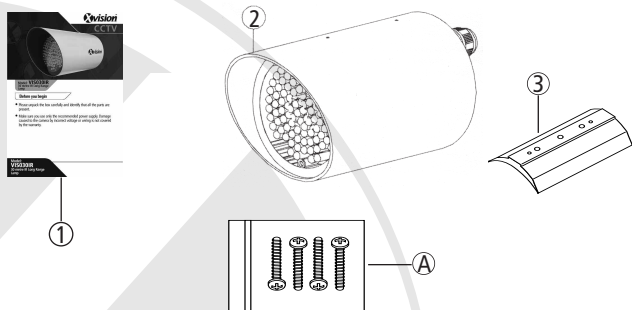
Model: **VIS030IR**  
30 metre IR Long Range  
Lamp

### Before you begin

- Please unpack the box carefully and identify that all the parts are present.
- Make sure you use only the recommended power supply. Damage caused to the camera by incorrect voltage or wiring is not covered by the warranty.

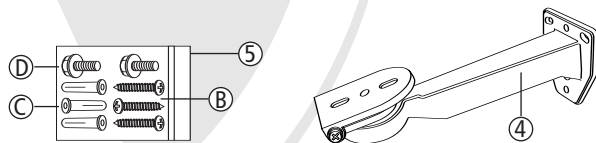
Model:  
**VIS030IR**  
30 metre IR Long Range  
Lamp

## 1. Contents



ITEM	NAME OF PART	QTY
1	Instruction Manual	1
2	Long Range IR Lamp	1
3	Lamp Bracket	1
A	Fixing Bolts for Lamp Mount Bracket	4

In the mounting bracket box contained within the main camera box you will find the following items:



ITEM	NAME OF PART	QTY
4	Wall Mount Bracket	1
5	Accessories Bag containing B, C, D	1
B	Fixing screws	4
C	Wall Plugs	4
D	Mounting Bolts	2

## 2. Product Description

The VIS030IR Long Range IR Lamp enables cameras to see in light levels below 0.05 lux and in complete darkness. The effective IR range is 30 metres when used with Xvision High Resolution Aspherical or IR Optimised lenses & 15 metres when used with Standard lenses. The IR spread angle is 30°.

## 3. Features

- Enables cameras to see in light levels below 0.05 lux and in complete darkness.
- Integrated Long Life Infra Red LEDs provides up to 30 metres Nightvision
- Light emitted from the Infra Red LEDs is not visible to the human eye, however to the camera the light is clearly visible
- Durable Corrosion Proof Metal Casing
- Designed for External use and Wall mounting with the bracket supplied Integrated sun/rain shield

## 4. Installation & Operation

STEP 1: Place Camera Bracket ③ onto the underside of the camera body. Align the fixing holes and fix using the two cross head bolts ④ supplied (as shown in Figure 1).

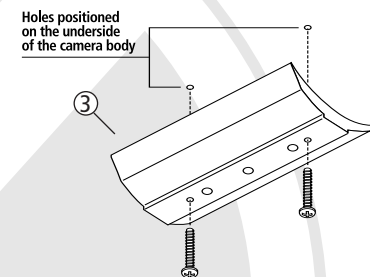


Figure 1

STEP 2: Attach the Wall Mount Bracket ⑤ to the Camera Bracket ③ using the mounting bolts ④ supplied (as shown in Figure 2).

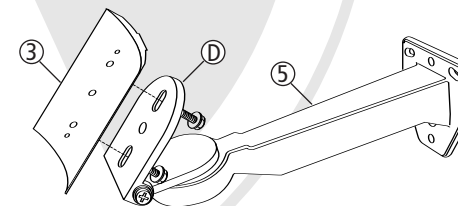


Figure 2