

TECHNICAL SUPPORT:

For Technical Support for any Xvision product please contact your local distributor.

LIMITED WARRANTY:

This product is supplied with a 1 Year warranty. The Warranty excludes products that have been misused, (including accidental damage) and damage caused by normal wear and tear. In the unlikely event that you encounter a problem with this product, it should be returned to the place of purchase.



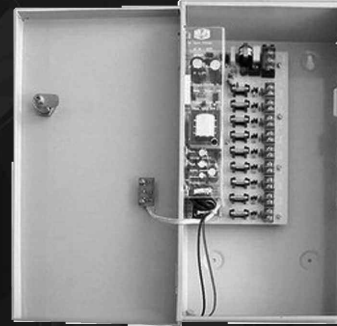
Manufactured exclusively for:

Xvision (Europe) Group,

Head Office: London, U.K.

Email: info@x-vision.co.uk

Web: www.x-vision.co.uk



Model: TP12800X
8 Amp, 9 Way Distribution Box

Before you begin

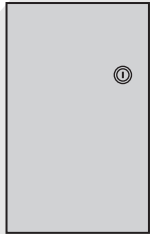
- Use a suitably rated plug and lead according to the input power specification, and ensure a proper connection to Earth at all times.
- Ensure the AC Input power is off before working with the unit.
- First connect the Standby Battery to the leads provided (red: Positive). Press the reset switch next to the battery leads to connect the power from the battery. If the unit does not maintain power, the battery voltage is below use and should be replaced. Close up the unit and switch on the AC Input.
- The Unit will supply a constant voltage to all Output contacts as specified. Each Output is protected with a fast blow fuse. The fuse will blow open circuit if the current rating is exceeded and the remainder Outputs will be unaffected.
- The unit is protected against reverse polarity and fuse fault. Should the common supplied output be short circuited, the unit will drop the voltage until the fault is corrected. It will immediately reset the voltage when the fault is removed. The same applies when exceeding the Current specification.
- The standby battery is monitored for low voltage. The battery is disconnected by the unit in the event of it being 10.8V DC, and reconnected with the presence of the Input AC Power. To test the working of the unit, switch off the AC Input voltage and observe that it runs correctly from the Standby battery. Restore the AC Input afterwards.

Model:
TP12800X
8 Amp, 9 Way Distribution Box

Features

- 9 Individually fuse-protected Outputs
- Output current-limiting and Over-voltage protection
- Separate Standby Battery circuit with fast changeover
- Standby Battery voltage shutdown below 10.8V DC

Package Contents



TP128000X Distribution Box



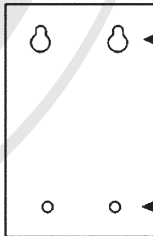
Keys

Assembly



Side

The rubber can be taken out for the PVC to go through it.



Bottom

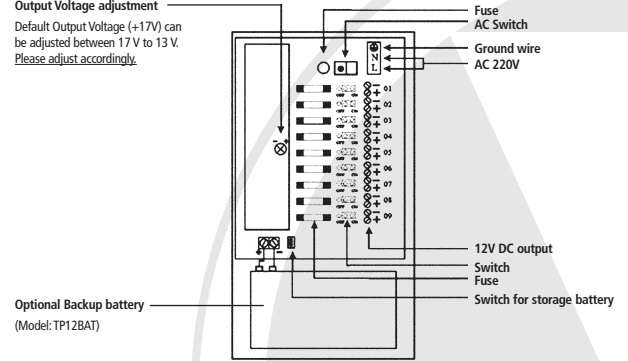
To install

To fix up

Wiring

Output Voltage adjustment

Default Output Voltage (+17V) can be adjusted between 17V to 13V.
Please adjust accordingly.



Specification

Model:	TP128000X
Input Power:	90-260V AC @ 50Hz
Output Power:	12V DC
Output Current:	8 Amp (96 Watts)
Output Current (Max):	10 Amp (120 Watts) Maximum
Mounting:	Wall
Weatherproofing:	Yes
Dimensions:	355 x 190 x 84mm