

TECHNICAL SUPPORT:

For Technical Support for any Xvision product please contact your local distributor.

LIMITED WARRANTY:

This product is supplied with a 1 Year warranty. The Warranty excludes products that have been misused, (including accidental damage) and damage caused by normal wear and tear. In the unlikely event that you encounter a problem with this product, it should be returned to the place of purchase.



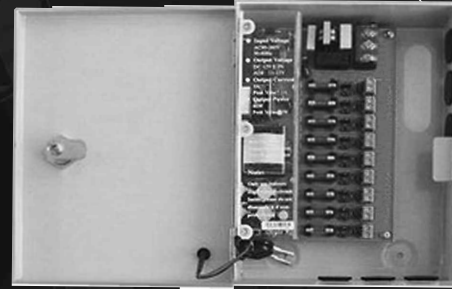
Manufactured exclusively for:

Xvision (Europe) Group,

Head Office: London, U.K.

Email: info@x-vision.co.uk

Web: www.x-vision.co.uk



Model: TP12500
5 Amp, 9 Way Distribution Box

Features

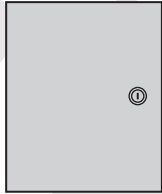
- 9 Individually fuse-protected Outputs
- Output current-limiting and Over-voltage protection

Before you begin

- Use a suitably rated plug and lead according to the input power specification, and ensure a proper connection to Earth at all times.
- Ensure the AC Input power is off before working with the unit.
- The Unit will supply a constant voltage to all Output contacts as specified. Each Output is protected with a fast blow fuse. The fuse will blow open circuit if the current rating is exceeded and the remainder Outputs will be unaffected.
- The unit is protected against reverse polarity and fuse fault. Should the common supplied output be short circuited, the unit will drop the voltage until the fault is corrected. It will immediately reset the voltage when the fault is removed. The same applies when exceeding the Current specification.

Model:
TP12500
5 Amp, 9 Way Distribution Box

Package Contents



TP125000
Distribution Box



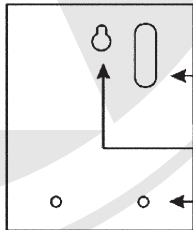
Keys

Assembly



Side

The rubber can be taken out for the PVC to go through it.



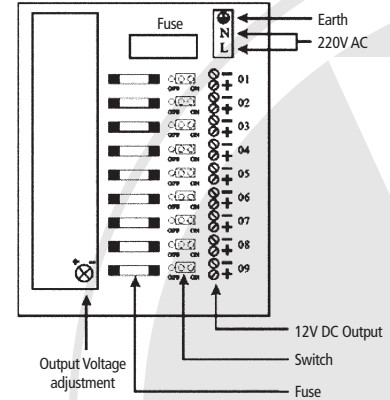
Bottom

For hidden cable to go through

To install

To fix up

Wiring



Specification

Model: TP125000

Input Power: 90-260V AC @ 50Hz

Output Power: 12V DC

Output Current (Max): 5 Amp (60 Watts)

Output Current: 7.5 Amp (60 Watts) Maximum

Mounting: Wall

Weatherproofing: Yes

Dimensions: 203 x 163 x 54mm