

Specification

Model: PCC125

Picture Type: Colour

Image Sensor: Sony 1/4" Super HAD CCD

DSP: Xvision IXC1

Resolution: 420TVL

Lens Viewing Angle: 60° or CS mount

Infra Red Nightvision: No

Minimum Illumination: 0.5 Lux

Audio: Yes

Operating Voltage: 12V DC 120mA

Suggested Power Supply: 12V DC 300mA Regulated

Mounting: Wall/Ceiling

Weatherproofing: Optional Housing Required

Dimensions: 50x44x62mm

TECHNICAL SUPPORT:

For Technical Support for any Xvision product please contact your local distributor.

LIMITED WARRANTY:

This product is supplied with a 2 Year warranty. The Warranty excludes products that have been misused, (including accidental damage) and damage caused by normal wear and tear. In the unlikely event that you encounter a problem with this product, it should be returned to the place of purchase.



Manufactured exclusively for:
Xvision (Europe) Group,
Head Office: London, U.K.
Email: info@x-vision.co.uk
Web: www.x-vision.co.uk

Xvision
CCTV

Xvision
CCTV



Model: PCC125
Colour Traditional
Camera

Before you begin

- Please unpack the box carefully and identify that all the parts are present.

The camera is suitable for indoor use only (unless used with an optional external housing). Please bear in mind the following points when choosing a mounting position.

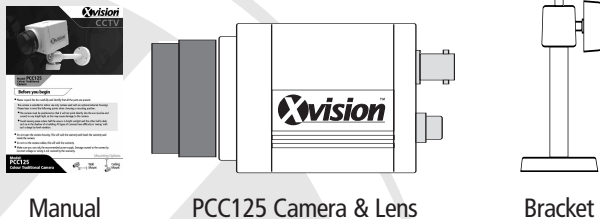
- The camera must be positioned so that it will not point directly into the sun (sunrise and sunset) or any bright light, as this may cause damage to the camera.
- Avoid viewing areas where half the area is in bright sunlight and the other half is dark, such as in the shadow of a building. All types of cameras have difficulty in 'seeing' with such a large lux level variation.
- Do not open the camera housing. This will void the warranty and break the warranty seal inside the camera.
- Do not cut the camera cables, this will void the warranty.
- Make sure you use only the recommended power supply. Damage caused to the camera by incorrect voltage or wiring is not covered by the warranty.

Model:
PCC125
Colour Traditional Camera

Mounting Options



Package Contents



Description

THANK YOU VERY MUCH FOR PURCHASING OUR PRODUCT

The PCC125 colour camera is designed for use in medium risk applications. Its traditional styling makes it ideal for use in situations where an instant deterrent is required and it offers good resolution 420 TVL images from its Sony 1/4" Super HAD CCD sensor and will provide images in light levels as low as 0.5 lux. The camera is fitted with a 3.6mm lens and is designed for internal use and wall or ceiling mounting as supplied, the lens can be changed to any compatible CS mount manual or fixed iris lens and a range of weatherproof housings are available for using the camera externally.

Main Features

- High Resolution CCD sensor provides great quality Colour images in light levels of 0.5 lux and above
- Traditional styling makes it ideal for use in situations where an instant deterrent is required
- Sony 1/4" Super HAD CCD image sensor for 420 TVL resolution images and 0.5 lux low light sensitivity
- Xvision IXC1 Digital Signal Processing (DSP) chip which has been optimised for internal viewing and features Automatic Gain Control, Automatic Electronic Iris, Auto White Balance, Back Light Compensation, Low Smear, Edge Enhancement and Zero Colour Rolling
- 3.6mm focus free lens with 60° viewing angle which can be replaced with any CS mount manual, fixed or auto iris lens

Camera Characteristics

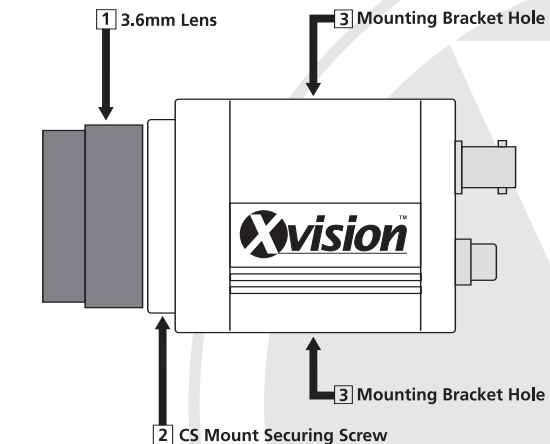


Figure 1

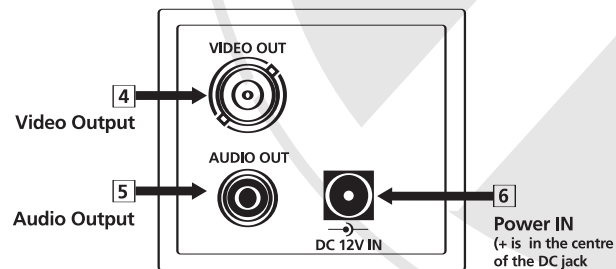


Figure 2

Operating Instructions

1. Connect the video output [4] to the monitor or the other video device through a 75 Ohms type coaxial cable.
2. Connect the power source [6], using the DC jack (+12V DC is in the centre of the jack plug).
3. Once the picture appears on the monitor, adjust the focus and iris of the lens to obtain the best picture.
4. The lens focus is factory set and is unlikely to need adjustment. However, if you fit an alternative lens and need to adjust the lens focus, then adjust the back focus as follows:
 - Aim the camera at a subject more than 20 metres away
 - Loosen the lens mount securing screw [2] (Use an allen key)
 - Turn the lens and the lens mount together until the subject is in focus and the picture is clear
 - Tighten the lens mount securing screw [2]
5. Mount the camera on the mounting bracket by using the the hole [3] on the top or bottom of the camera.
6. Fix the bracket in position, either wall or ceiling mount.