

10/07/2006



COVERT PIR CAMERAS

INSTRUCTION MANUAL 19

CONTENTS

	Page		Page
1. Description	1	4. Specifications	4
2. Installation	2	5. PIR Detector board installation and descriptions.....	5
3. Wiring instructions	3		

1. Description

***Thank you very much for purchasing our product.**

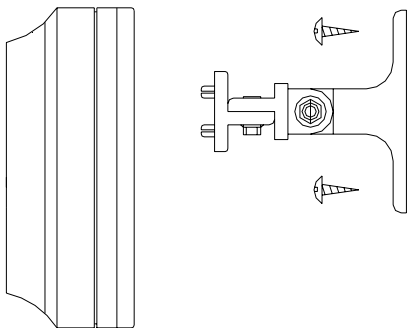
This B/W (COLOR) HIDDEN CCD Camera uses high sensitive 1/3" (1/4") interline transfer CCD Image Sensor (CCD = Charge Coupled Device), and all state circuitry which provides extremely long life and high reliability. This Camera offers excellent image quality with low lag and high burn resistance, and is not subject to distortions from magnetic fields. Highly resistance to shock and vibration, and easy to install this Camera is a very good choice for your B/W (COLOR) CCTV system.

P.1

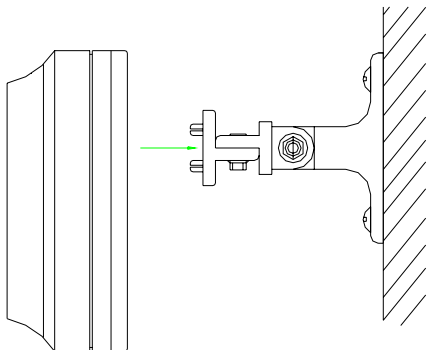
2. Installation

STEP 1: Secure the bracket to the wall with screws. (included as shown in

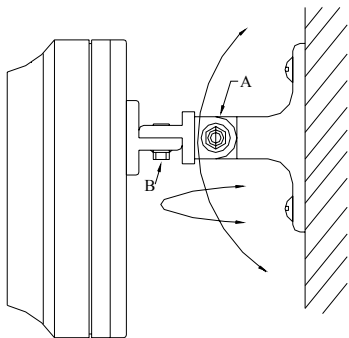
Figure 1)



STEP 2: Attach the Camera Case to the bracket as shown in Figure 2.



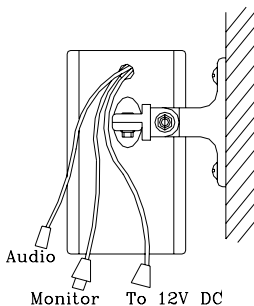
STEP 3: Adjust the vertical and horizontal angles by loosening screws (A&B) as in Figure 3 and by turning the bracket vertically and horizontally.



3. Wiring instructions

STEP 1: Connect the coaxial cable between the camera and the monitor using a 75Ohm coaxial cable.

STEP 2: Insert the AC plug into the AC power socket and the DC plug to the DC Jack.



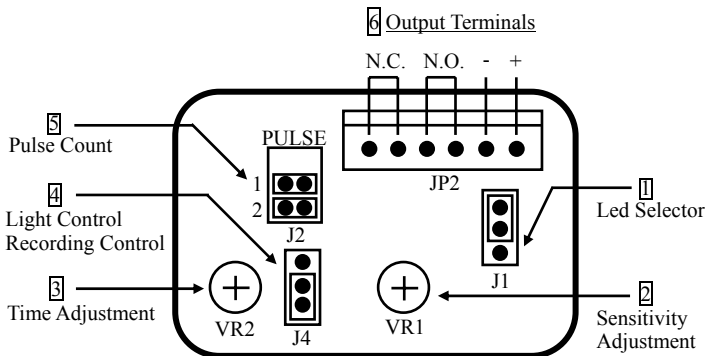
Note: AC Adapter Sold separately.




4. Specifications


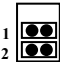

Model	B/W – PC810/PC810D	Colour – PC811/PC811D
Image Pick-up Device	SONY 1/3” Super HAD CCD sensor	SONY 1/4” Super HAD CCD sensor
Picture Elements (HxV)	EIA/NTSC: 510x492 CCIR/PAL: 500x582	
Horizontal Resolution	480 TV lines	420 TV lines
Minimum Illumination	0.3 LUX / F2.0	0.5 LUX / F2.0
Scanning System	Interlace 2 : 1	
Auto Electronic Shutter	EIA/NTSC: 1/60s~1/100,000s, CCIR/PAL: 1/50s~1/110,000s.	
S / N Ratio	More than 48 dB	
Gamma Characteristic	GAMMA = 0.45	
Sync System	Internal, Negative sync.	
Video Output	1 Vp-p / 75 Ohms. BNC or F connector.	
Audio(Optional)	2 Vp-p / 50 Ohms. RCA connector. (for model “Audio” & “including PIR working sensor” only)	
Power Supply	DC 12V ±10%	
Power Consumption (PIR Sensor not included)	1.32W	1.44W
Lens Furnished	Corn Lens f 3.7mm / F2.0	
Operating Temp.	-10 to 50°C (14 to 122°F)	
Built-in PIR Sensor	For model including PIR working sensor only.	

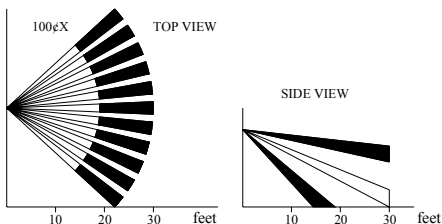
Note: Design and specifications are subject to change without prior notice.

5. PIR Detector board installation and descriptions (for PCC810 & PC811 models only)



Options	Description
1. LED Selector:  J1 (3PINS: Top, Center, Bottom)	A. Top + Center w/black cap: Upon Walk-testing: Light blinking (Disadvantages: Easy to identify as a security system.) B. Center + Low w/black cap: No light blinking while detecting. (Advantages: less obvious)
2. Sensitivity Adjustment:  "VR1"	A. To raise sensitivity: Turn clockwise to detect longer distance and wider pattern. B. To lower sensitivity: Turn counter clockwise for detection in narrow areas.
3. Dwell Time Adjustment:  "VR2" Adjustable from 2 to 40 sec.	For closure period of N.C/N.O relay connected to an alarm panel, light control or recording control of time lapse VCR, etc. A. Max. time: Turn counter clockwise. B. Min. time: Turn clockwise. Top + Center pins of "J4" must be selected to adjust the time setting.

Options	Description
<p>4. Alarm control, Light control or Recording control (N.O or N.C)</p>  <p>J4</p> <p>(3PINS: Top, Center, Bottom)</p>	<p>A. Top + Center w/black cap: Operate with "VR2" to adjust time. (To set the relay output of the Light control or Recording control, the time is selected by individual preference or application.</p> <p>B. Center + Bottom w/black jumper: Relay output can be set for Security control panel for only 2 seconds.</p> <p>Note: N.C./N.O. relay output current: 1A 125 VAC, 2A 30 VDC.</p>
<p>5. Pulse Control: Once or twice</p>  <p>J2</p> <p>4PINS: 2PAIRS w/jumper connector</p>	<p>Position 1: Set to "ONCE" for instant reaction when PIR detects someone: and either the "alarm or Security control panel" or "Recording control" will be triggered immediately.</p> <p>Position 2: Set to "Twice" when PIR detects someone 2 times within 15 seconds.</p>
<p>6. Output Terminals:</p>  <p>JP2</p> <p>24 Hour/Anti-Tamper</p>	<p>N.C.: Normally Closed</p> <p>A. For connection to: Security panel or Light control CCTV ...etc.</p> <p>B. With anti-tamper function for 24 hours.</p> <p>N.O.: Normally Open Contacts</p> <p>※P.S.: Relay output current: 1A 125VAC, 2A 30V DC</p>
<p>7. Power: 12V DC</p> <p>Standby Current: 3mA, Working Current: 28mA</p>	<p>Caution:</p> <p>The PIR is triggered by body movement, excluding fixed objects, however, do not place in direct sunlight or reflected sunlight.</p>



- Wide angle lens up to 100°, coverage areas to 30x30 feet.
- Provide 64 beams in 3 layers.