

Specification

Model: PC650/PC651

Picture Type: B/W / Colour

Image Sensor: Sony 1/3" Super HAD CCD-PC650
Sony 1/4" Super HAD CCD-PC651

DSP: Xvision IXC1

Resolution: 480TVL

Lens Viewing Angle: 78°

Infra Red Nightvision: No

Minimum Illumination: 0.3 Lux/0.2 Lux

Audio: Yes

Operating Voltage: 12V DC 110mA/145mA

Suggested Power Supply: 12V DC 300mA Regulated

Mounting: Ceiling

Weatherproofing: No

Dimensions: Ø120x60mm

TECHNICAL SUPPORT:

For Technical Support for any Xvision product please contact your local distributor.

LIMITED WARRANTY:

This product is supplied with a limited 2 Year warranty. The Warranty excludes products that have been misused, (including accidental damage) and damage caused by normal wear and tear. In the unlikely event that you encounter a problem with this product, it should be returned to the place of purchase.



Manufactured exclusively for:
Xvision (Europe) Group,
Head Office: London, U.K.
Email: info@x-vision.co.uk
Web: www.x-vision.co.uk

Xvision
CCTV

Xvision
CCTV



Model: **PC650**
B/W 'Industrial Smoke
Alarm' Camera

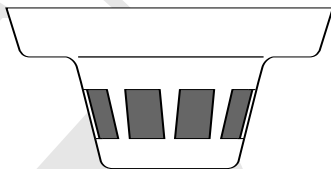
Model: **PC651**
Colour 'Industrial Smoke
Alarm' Camera

Before you begin

- Please unpack the box carefully and identify that all the parts are present.
- Make sure you use only the recommended power supply. Damage caused to the camera by incorrect voltage or wiring is not covered by the warranty.

Model:
PC650/PC651
B/W or Colour
'Industrial Smoke Alarm' Cameras

Package Contents



PC650/PC651 Camera

Main Features

- Designed to look just like a standard Industrial Smoke Alarm but fitted with a hidden camera inside for covert viewing.
- The PC650 has a Sony 1/3" Super HAD CCD image sensor for B/W 480 TVL resolution images and 0.3 lux low light sensitivity and the PC651 has a Sony 1/3" Super HAD CCD image sensor for Colour 480 TVL resolution images and 0.2 lux low light sensitivity
- Both cameras feature an Xvision IXC1 Digital Signal Processing (DSP) chip which has been optimised for internal viewing and features Automatic Gain Control, Automatic Electronic Iris, Auto White Balance, Back Light Compensation, Low Smear and Edge Enhancement, the PC651 also features Zero Colour Rolling
- 3.7mm focus free lens for 78° viewing angle
- Designed for internal use and ceiling mounting

Installation

1. Select a location in the ceiling where you want to install the camera.
2. Connect the cables as follows: Audio to Phono Socket (A), 12V DC to DC Socket (B) and Video Out to BNC Socket (C) (see Figure 1) .
3. Position the camera unit so the camera is aimed towards the area to be observed.
4. Whilst holding the camera in position, re-check the cameras horizontal sighting to ensure the cameras position is correct.
5. If it necessary to adjust the vertical viewing angle, do the following- loosen screw (E) with a screwdriver. Turn the camera board (D) to the desired angle (connect a monitor to make sure the viewing angle is correct or make any final adjustments). Tighten screw (E) to secure the vertical viewing angle (see Figure 1).

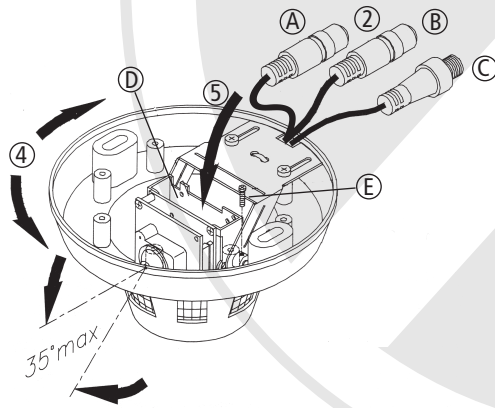


Figure 1

6. To secure the camera in your chosen position, mark the position of the holes, drill two holes in the ceiling and fix the camera using the wallplugs and fixing screws (F) as shown in Figure 2.

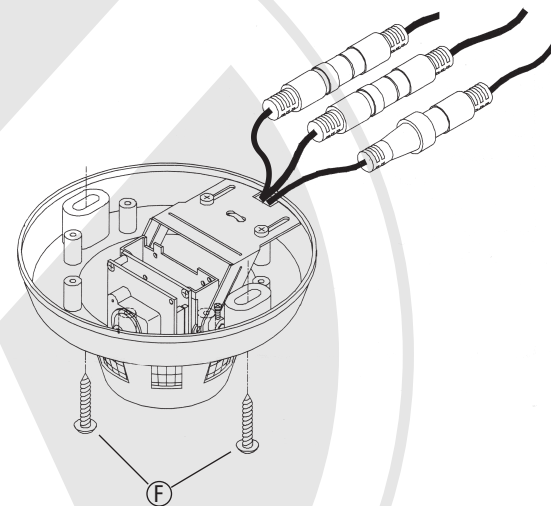


Figure 2