



IQC600B

High Resolution IR Bullet Camera
650 TVL, 20m IR

USER MANUAL

TECHNICAL SUPPORT:

For Technical Support please contact your local distributor.

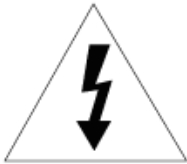
LIMITED WARRANTY:

This product is supplied with a 1 Year warranty. The Warranty excludes products that have been misused, (including accidental damage) and damage caused by normal wear and tear. In the unlikely event that you encounter a problem with this product, it should be returned to the place of purchase.



Before you begin:

- Please unpack the box carefully and identify that all the parts are present.
- Make sure you use only the recommended power supply. Damage caused to the camera by incorrect voltage or wiring is not covered by the warranty.
- Do not cut the connectors of the camera cables, this will void your warranty.
- Before operating this product, please read this instruction manual properly.



CAUTION
RISK OF ELECTRIC SHOCK.
DO NOT OPEN!



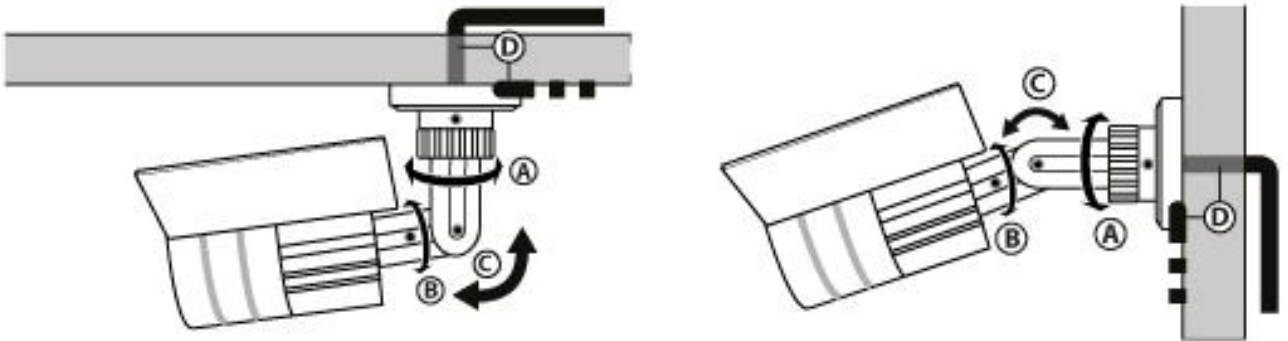
CAUTION: TO REDUCE THE RISK OF ELECTRIC SHOCK, DO NOT OPEN COVERS UNLESS MAKING LENS ADJUSTMENTS. NO USER SERVICEABLE PARTS INSIDE. REFER SERVICING TO QUALIFIED SERVICE PERSONNEL.

Caution

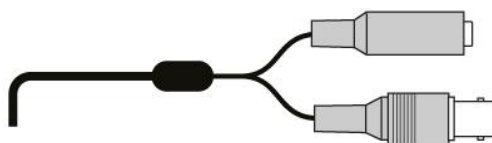
- 1. DO NOT ATTEMPT TO DISASSEMBLE THE CAMERA**
- 2. HANDLE THE CAMERA WITH CARE**
- 3. DO NOT EXPOSE AN INDOOR CAMERA TO RAIN OR MOISTURE, OR TRY TO OPERATE IT IN WET AREAS** - Take immediate action if the camera becomes wet. Turn the power off to the camera and contact a CCTV professional. Moisture can damage the camera and also create a danger of electric shock.
- 4. DO NOT USE STRONG OR ABRASIVE DETERGENTS WHEN CLEANING THE CAMERA BODY.**
- 5. NEVER POINT THE CAMERA TOWARD THE SUN** - Whether the camera is used outdoors or not, never point it towards the sun. Use caution when operating the camera in the vicinity of spot lights and light reflecting objects.
- 6. DO NOT OPERATE THE CAMERA BEYOND ITS TEMPERATURE, HUMIDITY OR POWER SOURCE RATINGS.** - Do not use the camera in an extreme environment where high temperature of high humidity exists. Use the camera under conditions where temperatures are between 14°F to 122°F (-10°C to 50°C), and humidity is below 85%. For the correct power supply, refer to the specification sheet.

Installation

1. Select a suitable position on the wall or ceiling to install the camera and map out the holes for the bracket.
2. Drill a hole in the middle of area on the wall or ceiling where the camera is to be mounted, to allow the power and video cable to be fed through. Alternatively, the cable can be surface mounted by taking the cabling out through the side of the bracket.
3. Screw the bracket base to the wall or ceiling using the Wall Plugs and screws supplied.
4. To change the bracket position during installation, the different screws on the bracket can be adjusted as shown in the diagram (A-D)



5. Connect the power terminal of the camera to a 12V DC regulated power supply. Connect the camera video output and the video input on the control or viewing equipment with RG59 (BNC) video signal cable.



**12v DC Input
Power Cable**

**BNC
Video Cable**



Style:	IR Bullet Camera
Weather Resistant:	Yes
IP Rating	IP65
Operating Temperature:	-10 to 50°C
Vandal Resistant:	No
Mounting Type:	Wall or Ceiling
Dimension:	102 x 57 x 63mm (LxWxH)
Weight:	0.31 Kg
Warranty:	1 Year
Sensor Type:	Xvision X650 - 1/3" Digital Imaging Sensor
DSP Type:	Xvision XE
DSP Functions:	Automatic Electronic Iris Automatic White Balance Automatic Gain Control
Resolution:	650 TVL
Minimum Illumination:	0 Lux (IR on) 0.1 Lux (IR off)
Night Vision:	20m IR Night Vision True Day/Night (Mechanical IR Filter)
Lens Type:	Fixed
Lens Size:	3.6mm
Viewing Angle:	78°
Operating Voltage:	12v DC
Power Consumption:	280mA
Video Output:	BNC Socket
Audio Output:	N/A
Power Input:	DC Socket