

Specifications

Model:	EVW400R
Screen:	7" LCD TFT Colour Screen
Video In:	Phono Socket
Audio In:	Phono Socket
Operating Voltage:	9V DC 1500mA
Mounting:	Desk/Wall
Weatherproofing:	No
Dimensions: (LxWxD)	195x127x25mm

Troubleshooting

Problem	Solution
Nothing appears on the screen	<ol style="list-style-type: none">1. Check the power is connected properly at the mains for the camera AND receiver.2. Check camera channel is correctly selected on the receiver3. Check if the contrast may have been over adjusted
Picture is unclear or distorted	<ol style="list-style-type: none">1. Check to see if the Camera may be experiencing interference in the area that it has been installed in. e.g. HighVoltage wiring, other electric equipment.)2. Adjust antenna on camera and/or receiver unit3. If you are using a Wireless Network or other 2.4GHz equipment nearby like bluetooth these may interfere, to cure this try moving the position of the other equipment if Bluetooth, or if a Wireless Network then change the channel number on your Router/Access Point.
Receiver does not pick up multiple cameras	<ol style="list-style-type: none">1. Check each camera is set to a different channel.

TECHNICAL SUPPORT:

For Technical Support please contact your local distributor.

LIMITED WARRANTY:

This product is supplied with a limited 1 Year warranty. The Warranty excludes products that have been misused, (including accidental damage) and damage caused by normal wear and tear. In the unlikely event that you encounter a problem with this product, it should be returned to the place of purchase.

EXTRA value

CCTV



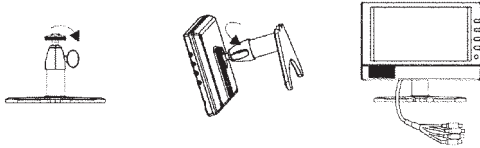
Before you begin

- Please unpack the box carefully and identify that all the parts are present.
- Make sure you use only the recommended power supply. Damage caused to the monitor by incorrect voltage or wiring is not covered by the warranty.

EVW400R
7" TFT LCD Wireless Receiver

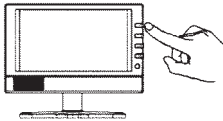
Installation & Setup

1. Attach LCD Screen Bracket as shown below.



The bracket can be attached to a wall or desk mounted.

2. Power LCD Screen Receiver using power adaptor supplied.
3. Power the receiver and set the channel on the receiver to the same as that of the camera by pressing the menu button and keeping it pressed. Once the receiver has picked up the signal, the camera image will be displayed on screen.

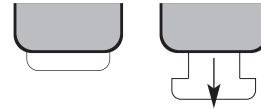


Note:









- Pressing the MENU key on the receiver for 5 seconds will switch between AV mode and normal wireless receiving mode.
- The Receiver can support up to 4 wireless cameras within a 100 metres range line of sight. Please note however the range could be reduced by 50% to 75% when walls, ceilings and other obstacles are in between the cameras and receiver. We also recommend that only 3 cameras are used as using 4 in the same location can cause interference. Each camera **MUST** be set to work on different channels (1 to 3) for the Receiver to work correctly.

Using the Remote Control

1. Remember to remove the plastic insulator from the battery tray on the remote control.



2. Make sure the batteries are correctly installed.
3. See the table below for commands available from the remote control:

Button	Name	Function
	Power Key	Turns power ON and OFF
	Turn Key	Turn image 180 degrees
	Mute Key	Turns sound ON and OFF
	Display Key	Switch image between 16:9 and 4:3 mode
	Menu Key	Press MENU key to adjust the brightness, volume, colour, contrast & channel selection. Use the UP & DOWN key to adjust settings
	Channel Number Keys	Selects individual channel
	Scan Key	Press to loop channels
	AV/Receiver Key	Press to switch between AV & Receiver mode